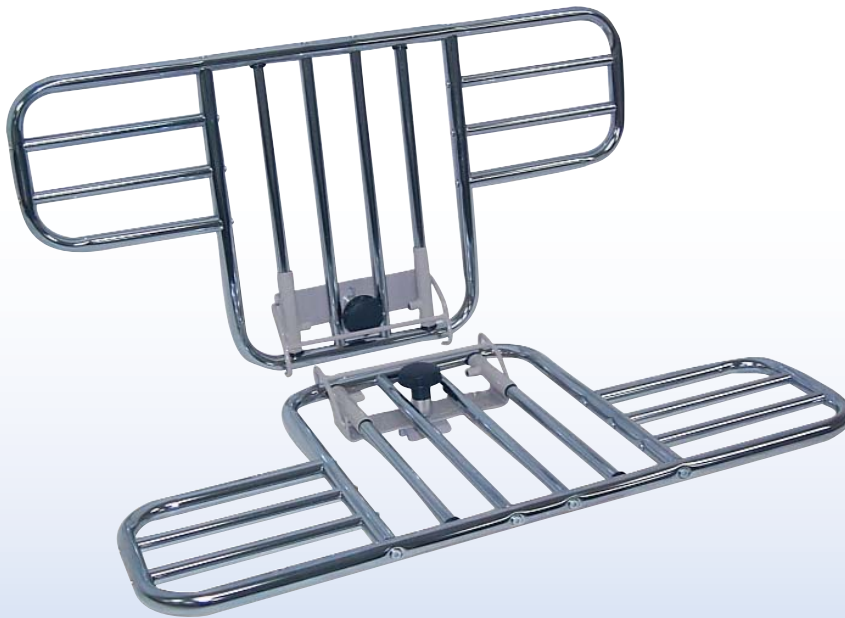
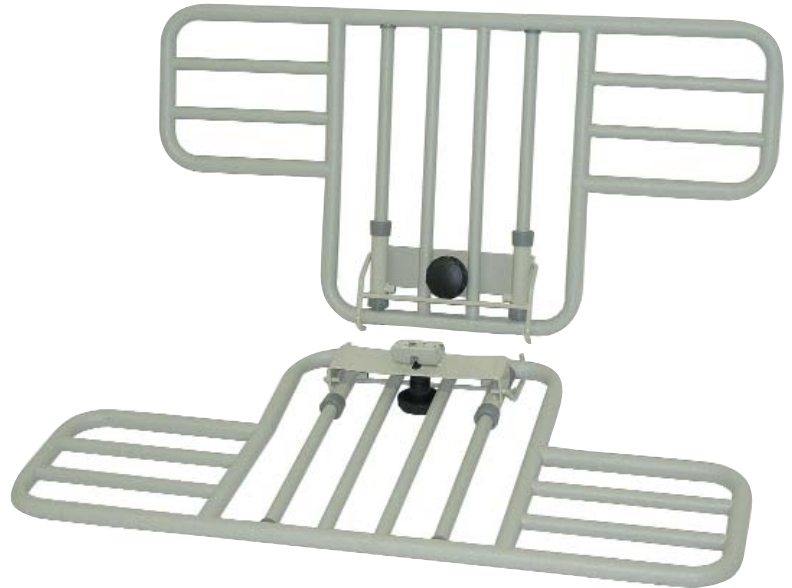


Half Bed Rail T100, T120

- Chrome plated steel construction (T100).
- Powder coated steel construction (T120).
- Less than 4" spacing between tubes.
- Easy and secure mounting.
- Simple drop-down mechanism.
- HCPCS Code: E0305



MODEL	LENGTH	HEIGHT	WEIGHT	PACKAGING
T100	36 1/2"	19"	16 lbs.	1 / CASE
T120	36 1/2"	19"	16 lbs.	1 / CASE