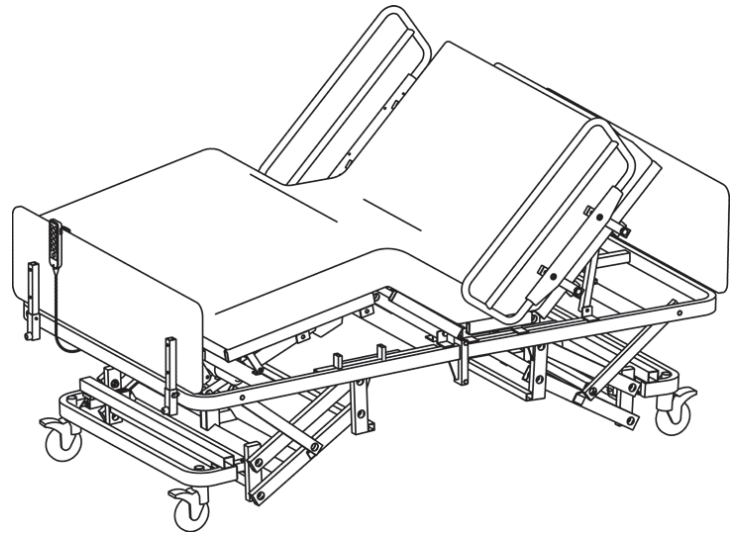


Tuffcare[®]
HIGHER STANDARD FOR HEALTH CARE™



Tuffcare[®]
HIGHER STANDARD FOR HEALTH CARE™

*Century T5200
Bariatric Max
Homecare Bed
Operation Manual*

CENTURY MAX_T5200_V1.0

TABLE OF CONTENTS

Table of Contents	1
Forward	2
Safety Precautions	3
Assembly Precautions	3
Product Diagram	4
Unpacking	5
Main Components	5
Product Specifications	6
Assembly	
Head & Footframe	8 - 9
Mattress End Stops	9 - 10
Head & Footboard	11 - 12
Half Bed Side Rails	13 - 14
Operation	
Locking/Unlocking the Caster Brakes	15
Raising/ Lowering the Bed	16
Junction Box Functions	17
Raising/Lowering the Bed Side Rails	18
Maintenance	19
Warranty	20

FORWARD



Congratulations on your purchase of a TUFFCARE Century™ Bariatric Max bed. Our bariatric bed is a true heavy duty bed that holds up to 1,000 lbs. It is specially engineered and designed for Alzheimer residents or others with chronic impairments which will reduce their degree of independence in activities of daily living. The T5200 is a fully electric adjustable bed. The bed height, head and foot angles functions are standard, along with trendelenburg and reverse trendelenburg functions that are all motor controlled with stylish hand pendant. A standard battery back up system can last up to two hours during a power failure. The under bed LED night light is a great feature for tip-toeing in to check on the patient as well as safe guiding when getting out of bed in the middle of the night. All the wonderful features make these beds the best choice for long term care.

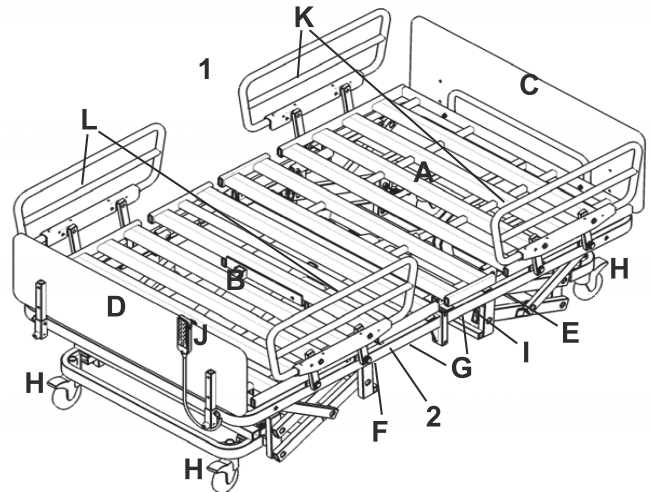
SAFETY PRECAUTIONS

- ⚠ Do not operate your Century bariatric bed until you have read and fully understand this manual. If you are unable to understand, contact your equipment provider for technical support before attempting to use this bed.
- ⚠ Do not operate your bariatric bed until it is fully assembled and checked.
- ⚠ Do not place arm or head into the frame while operating. Stand clear of device frame before operating. Operating this device with any part of the body in the frame can result in injury.
- ⚠ Do not leave loose clothing or self in between moving parts. Keep fingers and arms away when bed is in movement. Pinch points exist at base of bed. USE WITH CAUTION, otherwise injury could occur.
- ⚠ Do not use if power cord is cut, frayed or loosely connected to the device.
- ⚠ Do not expose electrical components to any highly flammable items. Power cord may be damaged by inappropriate handling, kinking, shearing or other mechanical damages.
- ⚠ Do not position the bed to make it difficult to disconnect from supply mains.
- ⚠ Do not plug into an inadequate electrical outlet. To avoid the risk of electrical shock, this equipment must only be connected to the supply mains with three prong grounded outlet. The power supply cord can only be replaced by service personnel.
- ⚠ Do not expose your institutional bed to weather or moisture.
- ⚠ Do not exceed maximum weight limit of the bed. The weight limit for the bed is 600 lbs.
- ⚠ Do not modify this equipment without authorization of the manufacturer. After reading the instruction, it should be put in a place where it can be seen at any moment.

ASSEMBLING PRECAUTIONS

- ⚠ Split frame design frame with fully loaded electronics system requires minimum set up.
- ⚠ Do not over-tighten mounting hardware, It will cause damage to mounting brackets.
- ⚠ Be sure that bed side rails are properly attached on main frame before the patient is moved into the bed.
- ⚠ Secure the caster locks in place to prevent the bed moving.
- ⚠ The medical bed should be left in its lowest position when the patient is unattended in order to reduce RISK of injury due to falls.

PRODUCT DIAGRAM



- | | |
|---------------------------------|----------------------------|
| A. Head Frame | B. Foot Frame |
| C. Headboard | D. Footboard |
| E. Head Section Motor | F. Foot Section Motor |
| G. Two Hi-Low Motors | H. 5" Caster with Lock |
| I. Controller W/ Backup Battery | J. Hand Pendant |
| K. Half Bedside Rails | L. 2nd Set Half Side Rails |

WARNING SAFETY ALERT LABEL

1. BEWARE OF SIDE-RAIL ENTRAPMENT

⚠ WARNING SAFETY ALERT BEWARE OF SIDE-RAIL ENTRAPMENT

Patient Entrapment with bed side rails may result in serious injury or death. ALWAYS evaluate patient for and guard against bed rail entrapment in accordance with medical protocols. Monitor patient frequently. Mattress MUST fit bed frame and side rails snugly to prevent entrapment. There may be an increased risk of entrapment when bed rails are used in conjunction with low air loss products. Follow the Safety Warnings and Operating Instructions in the service/User's manual. Contact your dealer or visit WWW.TUFFCARE.COM.

2. CRUSH HAZARD DUE TO LOW BED CLEARANCE

⚠ WARNING Crush Hazard due to LOW BED CLEARANCE

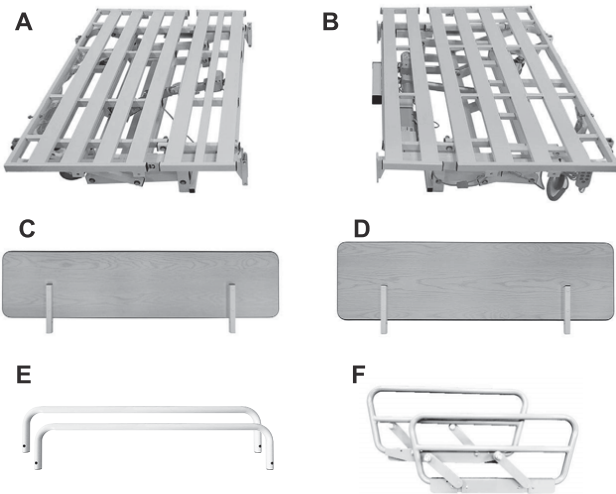
Stay clear of frame and ensure children and pets are not under or near the frame before lowering the bed. Beware of PINCH POINTS below deck panels, next to fixed attachments and between moving parts.

UNPACKING

Remove the bed from packing case or pallet and examine deck and frame for shipping damage. If damage is detected in shipping, contact the freight company and file a damage claim.

Dispose of the removed packaging at your local recycling center. Discard the wrapper and box separately. Dispose of the end-of-life item at a clean point.

MAIN COMPONENTS



- A. Foot Frame**
- B. Head Frame**
- C. Footboard Assembly**
- D. Headboard Assembly**
- E. Mattress Stop Bars**
- F. Bariatric Half Rails**

PRODUCT SPECIFICATION

Model Number	T5248	T5254	T5260
Control Operation	Quad DC Motors system with 5 Function Pendant		
Bed Fabric Height	15 inches to 28 inches		
Back Angle to Horizontal	0 to 65±3 degrees		
Knee Angle to Horizontal	0 to 43 ±3 degrees		
Knee to Leg Angle	120 ±3 degrees		
Sleep Surface	48 x 80 inches	54 x 80 inches	60 x 80 inches
Overall Length	86 inches		
Overall Width	48 inches	54 inches	60 inches
Application Environment	MEDICAL BED only		
Intended PATIENT group	Adult ≥ 4 feet 10 inches, BMI ≥ 17		
Product Weight	348 pounds	361 pounds	370 pounds
Mattress Weight	31 pounds	34 pounds	37 pounds
Weight Capacity	800 pounds	1,000 pounds	1,000 pounds
Load Support by the Accessories	66 pounds		
Under Bed Clearance	10.25 inches in Middle		
Junction Box	110V – 3.3A Max, 60 Hz		
Hand Pendant	11 Button with Trendelenburg Function		
Motorizes Liner Actuator	24 Volts, DC		
Measurement of audible acoustic:	50 dBA		
Protective Earth Ground - No	Class II		
Electric Shock Protection	Type B		
Caster Wheels	Four 5 inches Swivel Casters with Brake		
Built in Battery Back-up	24 Volts DC 9.2 Amps		
Limited Warranty	Bed – 3 Years		
	Electronics – 1 Year		

ASSEMBLY

⚠ WARNING

Use only Tuffcare parts to complete this bed assembly.

Parts: see parts list under "Main Component" on following page in this manual.

Tools required: two - 13mm wrench and two - 19mm wrench.

Directions for Bed Placement: A 15 foot electrical cord powers the bed so it should be positioned within access to a AC 110 Volt outlet. Place the bed 12" from the wall to avoid damage during operation.

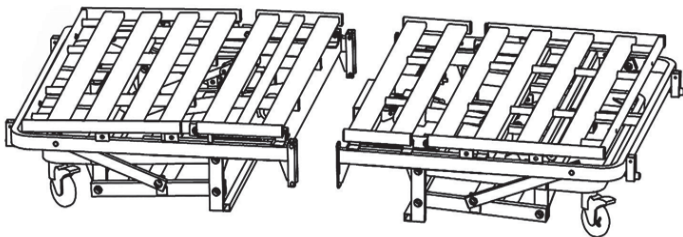
WARNING: Make sure power cords are free of pinch points.

Results of Incorrect Setup: If electrical cord is pinched in bed mechanisms, the bed positioning may not function.

If you have questions about bed assembly or encounter a problem, call the customer service number at 800-367-6160.

1. Position both ends of the bed so that the tabs on the headframe section are lined up with the holders on the footframe section. The headframe has the extruding tabs at the joint and the foot section had the receptacle holders.

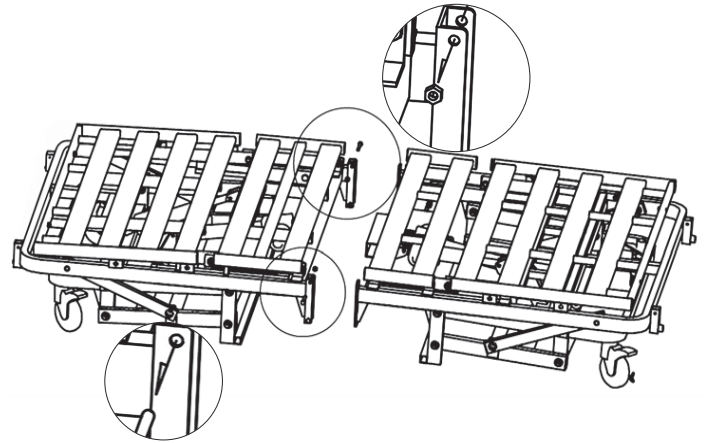
(Below illustration shows headframe on the right and footframe on the left)



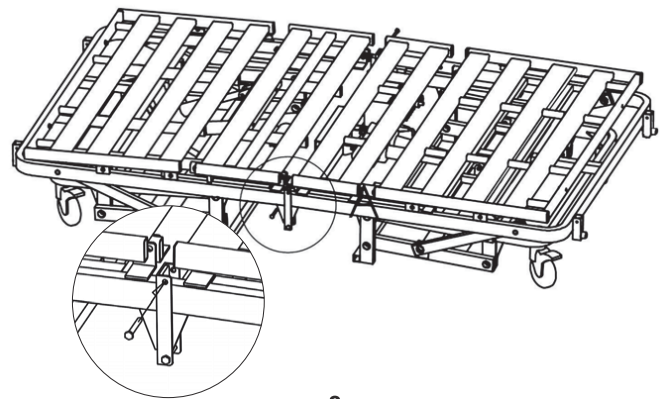
7

1a. Temporarily remove the top 2 sets nut and bolt on each end of the footframe on the receptacle holders, set the nut and bolts on the side.

(Below illustration shows headframe on the right and footframe on the left)

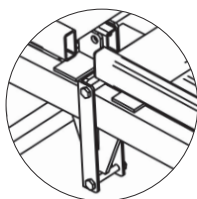


1b. Lifting both the tabs and the holders, to bring them together and slowly lower the two sections so as to interlock the tabs and holders. The tab should set into the spacing between the holder and the bolt. Replace the nuts and bolts that were set aside earlier.

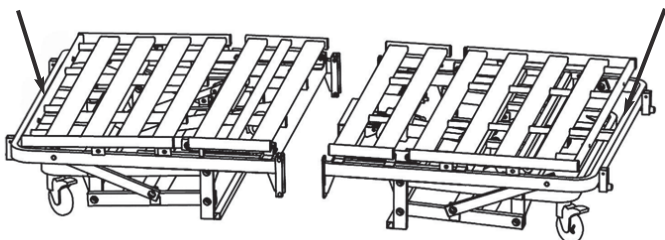


8

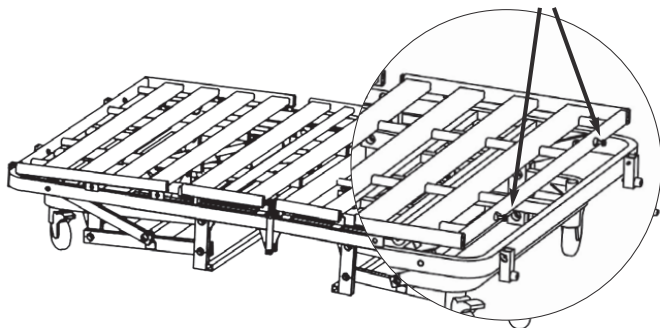
1c. Tighten the nuts and bolts on each end with a pair of 13mm wrenches to secure the head and foot frames.



2. The mattress stop bars are shipped cable tie on to both side of the frame, remove them to install.
(Below illustration shows headframe on the right and footframe on the left)

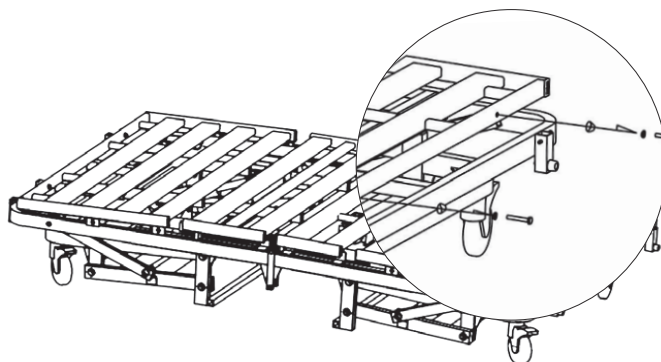


2a. Locate the two mattress stop mounting bolts at ends of the bed surface.

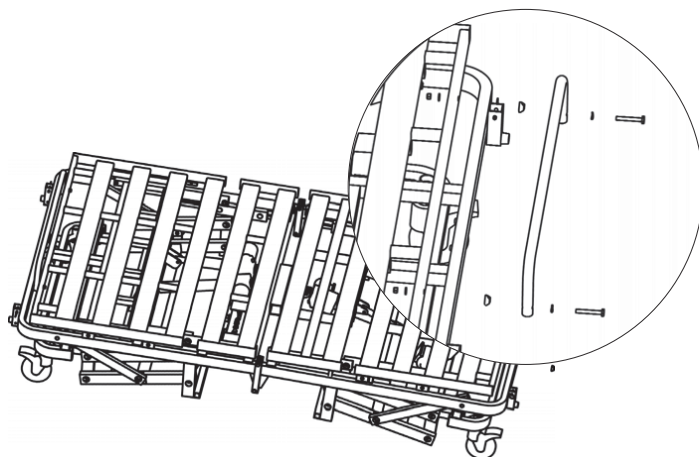


9

2b. Remove the top 2 sets of nuts and bolts on each end of the headframe on the receptacle holders, set the nut and bolts on the side.



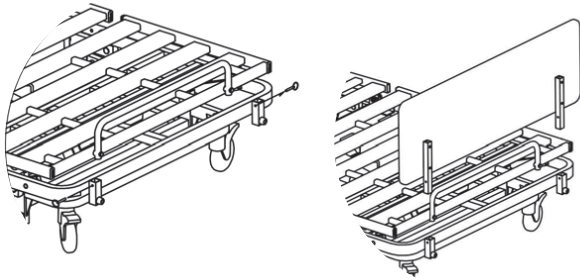
2c. Assemble the bolt, washer, and moon shape spacer in order according to the diagram below, and attach the mattress stop bar onto the frame surface.



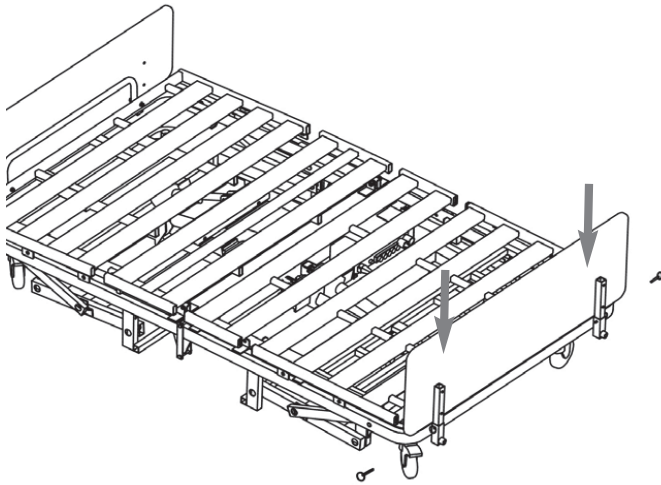
10

3a. First, start with the foot frame, pull out the ring grip quick-release pins on two side of the receptacle tubes.

3b. Carefully set the mounting tubes on the board end, down the receptacle tubes.

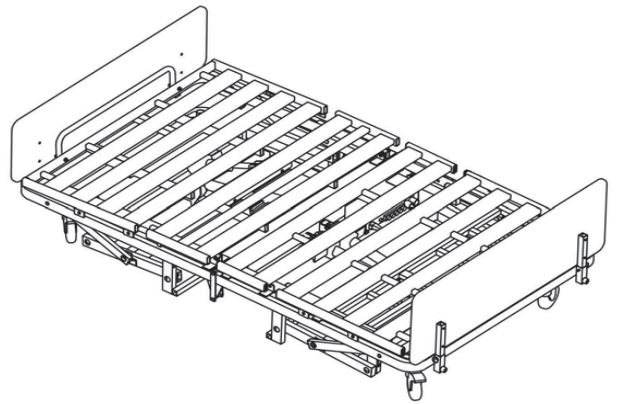


3c. Push footboard down all the way until it stops, the holes on the footboard mounting tubes and the holes on the footframe receptacle tubes should line up. Secure the footboard by inserting the two quick-release pins back in the holes. Repeat the same process for the head board.

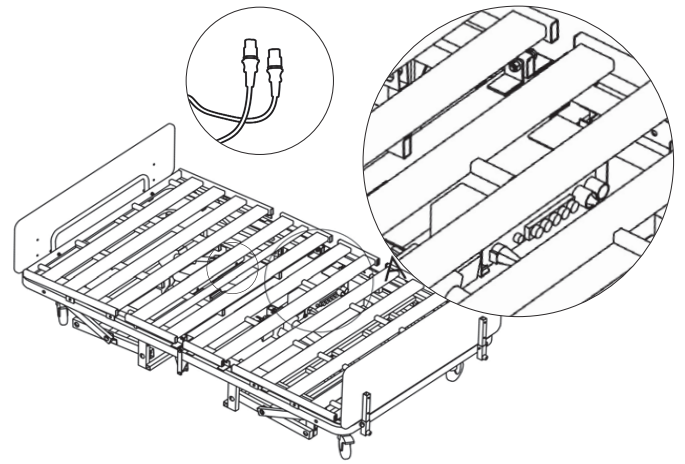


11

3d. Repeat the same process as the footboard for the headboard to complete the assembly.

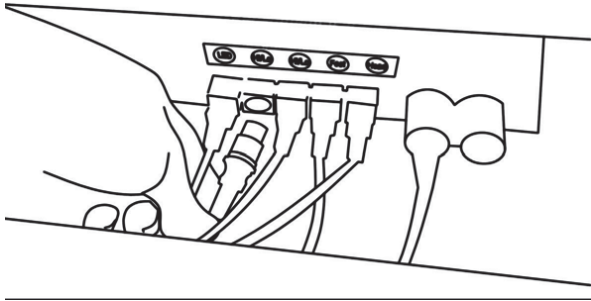


4. The two actuators on the foot frame were shipped unplugged, they need to be plug into the junction box for the bed to function. Locate the junction box close to the middle of the bed, on the head-frame side.



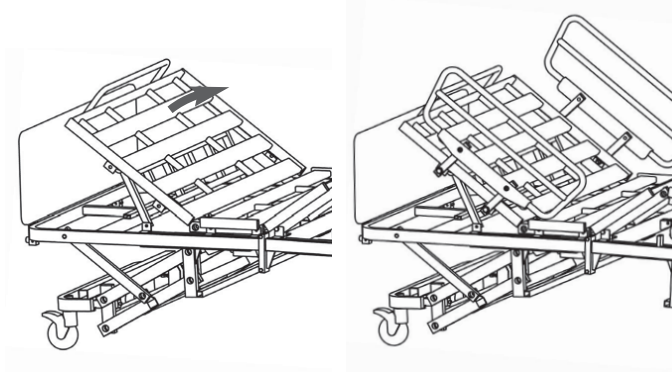
12

4a. The actuator plug are color coded, plug the blue plug into the foot motor receptacles and the yellow into the hi/lo receptacles.



ASSEMBLING SWING-DOWN HALF BED SIDE RAILS

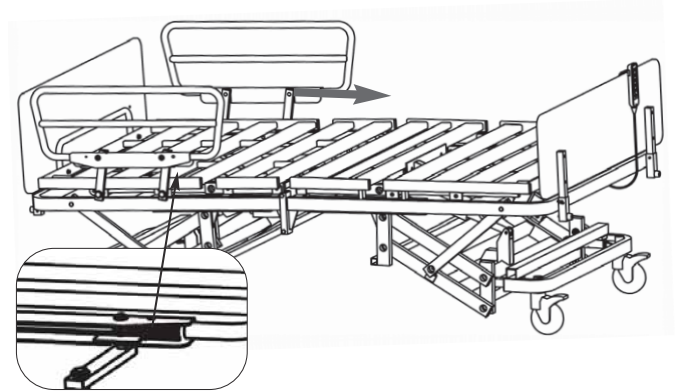
Note: Secure the caster locks in place to prevent the bed from moving.



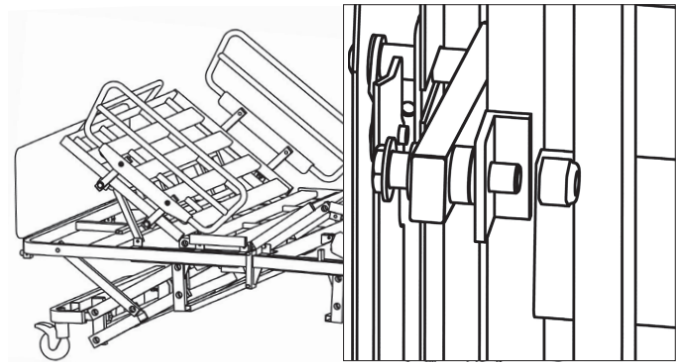
5a. Raise the head frame to expose the holes on top of bed frame.

5b. Position it half bedside rails' swing bars on top of bed frame.

13



4c. Make sure the side with the black release lever faces the foot end of the bed.
(Optional 2nd pair of side rail also need to have the lever side face the same direction.)



5d. Install the bolt and tighten into the holes while holding the nut with your other hand.

5e. Use a pair of 19MM wrenches to tighten the bolt and nut in order to secure the swing bars on the top head of the section frame.

14

OPERATION

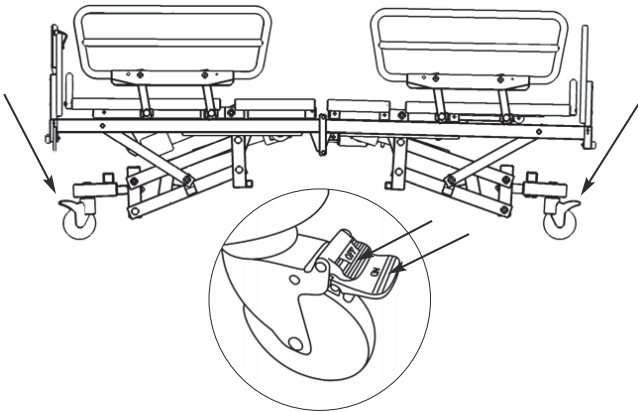
PREPARING THE BED FOR USE

1. Make sure all of electronic components are well connected, and all of wires are clear from moving parts.
2. Check and tighten all hardware BEFORE use.

⚠ WARNING

The user must be assessed by a qualified professional. Thoroughly read and fully understand the instructions in this Owner's Manual. If you are unable to understand, contact your equipment provider for technical support before attempting to use this bed.

LOCKING/UNLOCKING THE CASTER BRAKES



Push down the lower pedal to LOCK the caster wheels
Push down the upper pedal to UNLOCK the caster wheels

15

RAISING/LOWERING THE BED

⚠ WARNING DO NOT exceed the maximum weight limit of Beds: T5248 – 800 lbs, T5254 & T5260 – 1,000 lbs.

⚠ WARNING Operation of this device with any part of the body in the frame can result in injury. Do not place your arm or head in the frame while operating.

⚠ WARNING Stand clear of device frame before operating.

⚠ WARNING Rotating Parts. Keep hands and fingers away when mechanism is moving.

⚠ WARNING Keep hands and fingers away when bed is in movement to avoid pinching.

⚠ WARNING Electrical hazards may occur if the device is plugged into an inadequate electrical outlet. To avoid electrical shock hazard, make sure that the bed is plugged into a grounded 110 Volt outlet. Before operating, make sure casters are in their proper operating position. On the hand Controller Functions, press the button indicated to move bed.

PENDANT FUNCTIONS

Press indicated buttons to move the bed up and (or) down.

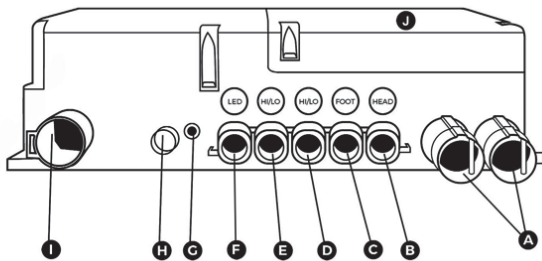


- A. Head Section
- B. Foot Section
- C. Head & Foot Section
- D. Hi-Low
- E. Trendelenburg /Reverse Trendelenburg
- F. LED Night Light ON/OFF

16

JUNCTION BOX FUNCTIONS

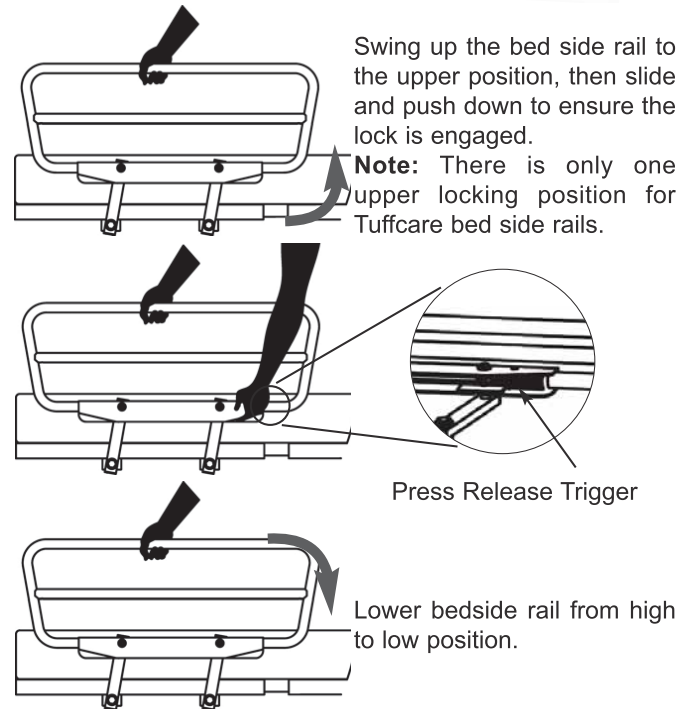
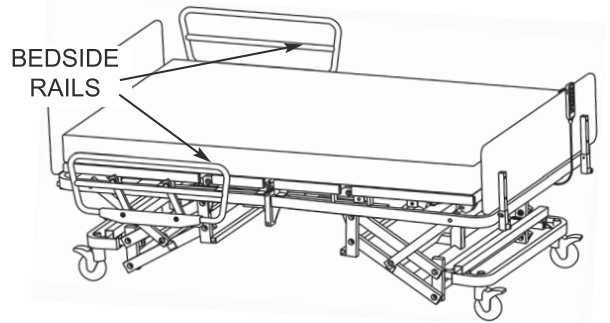
Control of all of electronic components.



- A. Hand Pendant/Control Panel
- B. Head Motor
- C. Foot Motor
- D. Hi-Low Motor (installed on Foot Main Frame)
- E. Hi-Low Motor (installed on Head Main Frame)
- F. LED Night Light
- G. Battery Indicator Light (green when charged)
- H. Fuse Box
- I. Power Cord with Ground connection
- J. Built-in Backup Re-chargeable Battery

Use built-in rechargeable battery backup power for emergency operation. Note: The indicated light will be turned green when battery is fully charged.

RAISING UP & LOWERING DOWN BEDSIDE RAILS



MAINTENANCE

CLEANING THE BED

- The Bed can be cleaned with non-abrasive cleaners.
- Inspect and clear casters of debris, making sure that the wheels roll, and they swivels smoothly.

DETECTING WEAR AND DAMAGE

- Check monthly that all screws are tight and have not loosened.
- Check monthly for damaged or exposed wires on the electrical components.
- Inspect monthly for signs of cracking, fraying, or any deterioration.
- Contact your equipment provider for replacement of any defective parts immediately and ensure that the bed is not used until repair job is completed.

LUBRICATING THE BED

- A light grease lubricant may be applied to the ball bearing and swivel of the casters every three months.

PERFORMING REGULAR MAINTENANCE

- Regular maintenance of the bed and accessories are required to ensure proper operation. The casters and axle bolts are to be checked for proper tightness.

LIMITED WARRANTY

The warranty below has been drafted to comply with Federal Law applicable to products manufactured after July 4, 1975. This warranty is extended only to the original purchaser/consumer (or dealer non-consumer who does not buy for resale).

Tuffcare® warrants that it's Century Bariatric Max beds will be free from defective workmanship and materials for a period of three (3) years following the date of original manufacture with the following exceptions: All welds are warranted for the life of the bed. Electronics on the beds are warranted for one (1) year. The warranty period commences on the original manufacture date. If within such warranty period any such product proven to Tuffcare® satisfaction to be defective, such product will be repaired or replaced at Tuffcare® option.

Tuffcare® sole obligation and your exclusive remedy under this warranty shall be limited to such repair and/or replacement. This warranty does not include any labor charges incurred in replacement parts installation. Freight charges to the factory are at the expense of the consumer or seller. Return freight charges will be prepaid by Tuffcare®. For warranty service, please contact the authorized dealer from whom you purchased your Tuffcare® products. In the event that you do not receive satisfactory warranty service, please write directly to Tuffcare®: 4977 La Palma Ave, Anaheim, California, 92807. DO NOT RETURN PRODUCTS WITHOUT PRIOR AUTHORIZATION.

LIMITATIONS AND EXCLUSIONS: The foregoing warranty shall not apply to products subjected to negligence, abuse, misuse, improper operation, improper maintenance, improper storage or damages beyond Tuffcare® control. The evaluation will be solely determined by Tuffcare®. The warranty shall not apply to problems arising from normal wear, or failure to follow instructions, or if parts are not manufactured by Tuffcare®, or do not comply with original equipment specifications that are added to Tuffcare® product.

THE FOREGOING WARRANTY IS EXCLUSIVE AND IN LIEU OF ALL OTHER WARRANTIES, INCLUDING BUT NOT LIMITED TO THE IMPLIED WARRANTIES OF MERCHANTABILITY AND FITNESS FOR A PARTICULAR PURPOSE AND SHALL NOT EXTEND BEYOND THE DURATION OF THE EXPRESS WARRANTY PROVIDED HEREIN. TUFFCARE® SHALL NOT BE LIABLE FOR ANY CONSEQUENTIAL OR INCIDENTAL DAMAGES WHATSOEVER.

This warranty gives you specific rights and you may also have other legal rights which vary from state to state. Some states do not allow the exclusion or limitations of incidental or consequential damage, or limitation on how long an implied warranty