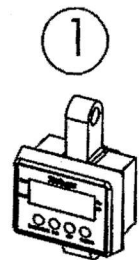


Rhino Patient Lift Scale PSTW05 Quick Reference Chart

Calibrated to 1,000lbs
Use 9Volt DC battery



SCALE

X
1



U-BRACKET

X
1



SPACER
P4&600
SERIES

X
1



SECURE PIN

X
2



KEY RING

X
2

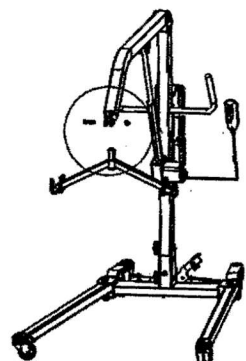
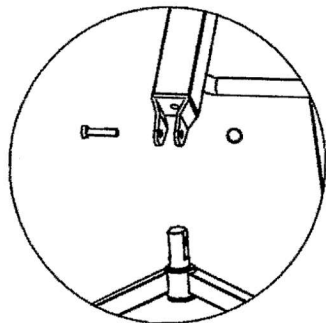
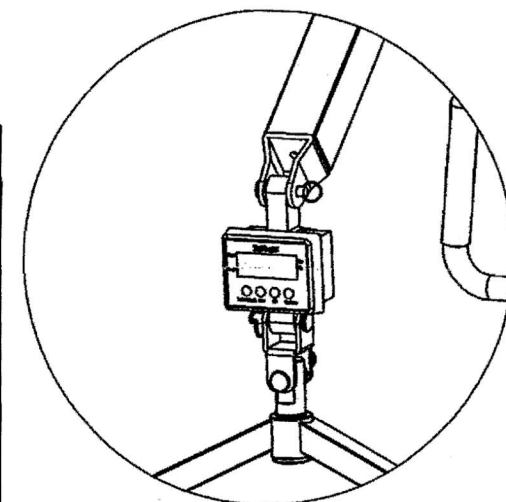
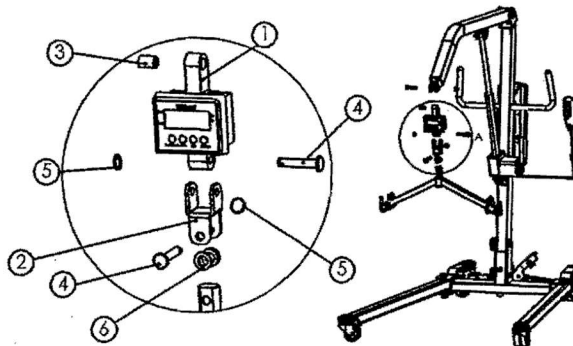


WASHER

X
6

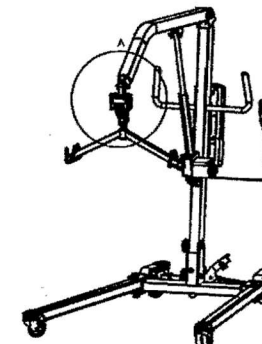
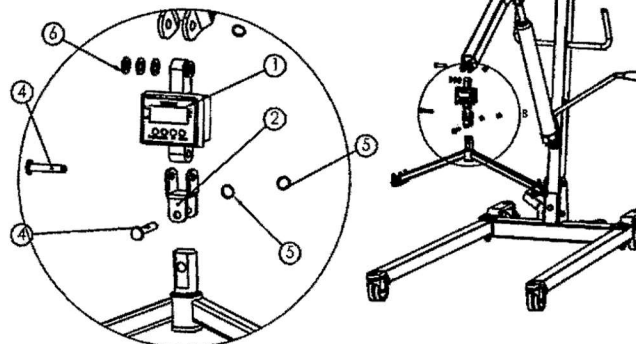
P400/600 SERIES

- ① X 1
- ② X 1
- ③ X 1
- ④ X 2
- ⑤ X 2
- ⑥ X 4



P1000

- ① X 1
- ② X 1
- ④ X 2
- ⑤ X 2
- ⑥ X 6



TuffCare