

**Bariatric Patient
Lifter P1000 Operating
Manual**

ATTENTION

Before using this Medical Device read this manual. If you are unable to understand, contact your equipment provider for technical support before attempting to use this product.



TABLE OF CONTENTS

Table of Contents	1
Specifications	2
Product Diagram	3
General Guidelines	4 - 6
Assembly	
Assembling the Mast Assembly to the Base	7 - 8
Installing the Optional Scale	9 - 10
Operation	11 - 12
Lifting the Patient	13 - 15
Transferring the Patient	16
Transferring Patient from and to bed	17 - 20
Transferring Patient from and to wheelchair	21
Transferring Patient from and to floor	22
Transferring Patient from and to Automobile	23 - 24
Maintenance	25
Limited Warranty	26

SPECIFICATIONS

Height at Sling Hook-up - MAX.: 70 inches

Height at Sling Hook-up - MIN.: 27 inches

Base Width OPEN: 49 1/2 inches

Base Width CLOSED: 30 inches

Base Height (Clearance): 5 1/2 inches

Base Length: 59 inches

Overall Height: 80 inches

Overall Length: 59 inches

Overall Width: 29 inches

Casters: 4" Dual Front and 5" Rear with Brake

Sling Material: Heavy Duty Nylon

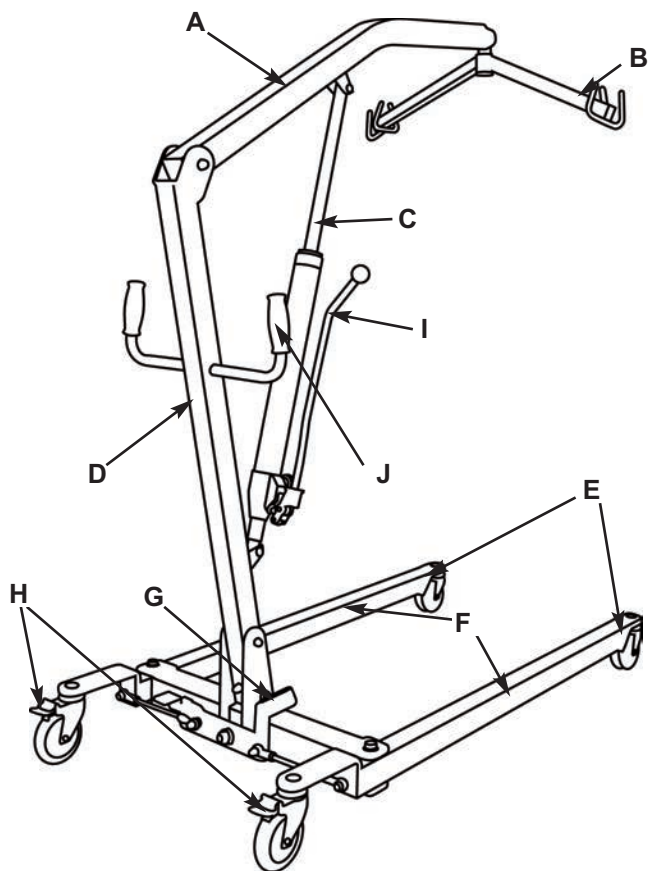
Weight Capacity: 1000 lbs

Weight without sling: 191 lbs

Limited Warranty Lifter: 1 Year

PRODUCT DIAGRAM

BARIATRIC PATIENT LIFTER P1000



- | | |
|-----------------------------------|---------------------------------|
| A. Lift Arm | B. Attachment (Sling) Cradle |
| C. Up-Down Hydraulic Piston | D. Mast |
| E. Dual Front Caster Wheels | F. Adjustable Base |
| G. Foot Pedal for Adjustable Base | H. Rear Caster Wheel with Brake |
| I. Jack Handle | J. Push Handle Bar |

GENERAL GUIDELINES

GENERAL GUIDELINES contains important information for the safe operation and use of this Medical Device.

⚠ WARNING

1. Check all parts for shipping damage before using. In case of damage, DO NOT use the equipment.
2. The TUFFCARE patient lifter is NOT a transport device. It is intended to transfer a patient from one seated surface to another (such as from a bed to a wheelchair).
3. DO NOT attempt to transfer until the user is assessed by a qualified professional. Thoroughly read and fully understand the instructions in this Owner's Operating Manual.
4. TUFFCARE transfer slings are specifically designed to be used in conjunction with TUFFCARE patient lifters. Slings and accessories designed by other manufacturers are not to be utilized as a component of Tuffcare's patient lifter system.
5. The Rhino floor lifter is intended to be used for patient within weight limit indicated for the lifter. DO NOT attempt to lift more than the weight limit indicated.

⚠ WEIGHT LIMIT

DO NOT exceed maximum weight limit of the patient lifter. The weight limit for the patient lifter is 1000 lbs.

⚠ ASSEMBLING THE LIFTER

DO NOT over-tighten mounting hardware. It will cause damage to the mounting brackets.

⚠ USING THE SLING

Before attaching the sling onto the hookup point on the swivel bar, lift the hanging straps up to predetermine which color coded hanging points to use in order to avoid the sides of the sling riding up to the underarm causing patient discomfort.

Be sure that sling is properly attached on sling holders before the patient is removed from a bed, chair, or any objects.

If the patient is in a wheelchair, secure the wheel locks in place to prevent the chair from moving forwards or backwards.

⚠ OPERATING THE LIFTER

Always use the handles to move the lifter.

⚠ LIFTING THE PATIENT

Adjustments for safety and comfort should be made before moving the patient. Patient's arms should be outside of the sling straps.

Before lifting a patient from a wheelchair, bed or any objects, slightly raise the patient off the object and check that sling attachments are secured.

During transfer, with the patient suspended in a sling attached to the lifter, **DO NOT** roll the base over uneven surfaces that would create an imbalance of the patient lifter and could cause the patient lifter to tip over. Use handle on the mast at all times to move the patient lifter.

TUFFCARE suggests locking the rear casters **ONLY** when positioning or removing the sling (stand up or transfer) from around the patient.

TUFFCARE DOES NOT suggest locking the rear casters of the patient lifter when lifting a patient. When lift arm rises the center of gravity will shift and caster wheels will slightly move to balance the weight of the patient. Locking the rear casters could cause the lifter to tip over and endanger the patient and assistants.

⚠ TRANSFERRING THE PATIENT

Before transferring, check that the lifter's weight capacity can withstand the patient's weight.

Wheelchair wheel locks **MUST** be in a locked position before lowering the patient into the wheelchair for transport.

⚠ PERFORMING MAINTENANCE

Regular maintenance of patient lifter and accessories is required to assure proper operation.

Casters and axle bolts are also required to be checked for tightness.

DO NOT over-tighten mounting hardware. It will cause damage to the mounting brackets.

NOTE: See detail at Page 26 for maintenance.

⚠ PINCH POINTS

Pinch points exist at base of lifter. Use caution, otherwise injury could occur.

ASSEMBLY

The lifter comes with a pre-assembled main frame for easy assembly

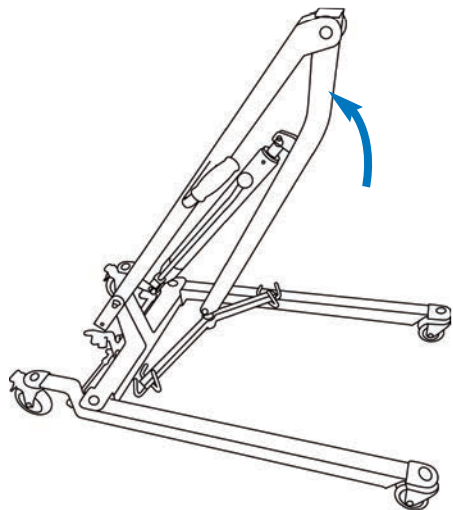
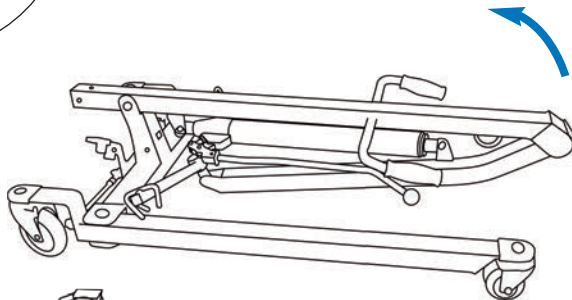
⚠ WARNING

Use only Tuffcare parts to complete this floor type patient lifter.

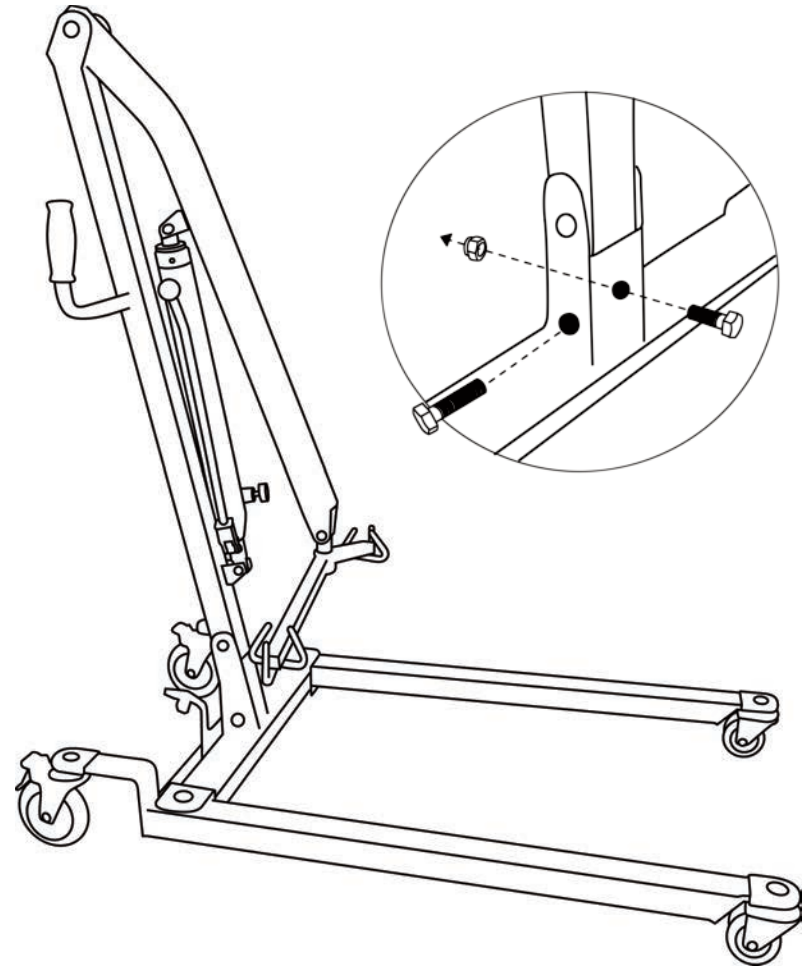
ASSEMBLING THE MAST ASSEMBLY TO THE BASE STEP DOWN TO LOCK



1. Set base on the floor. Lock both rear casters before lifting up the mast.



2. By having a 2nd person hold on to the base, slowly lift up the mast until it stops.



3. Line up the 2 holes at the bottom of the mast with the 2 holes on the mounting bracket. Insert the 2 bolts into the holes and screw the nuts to secure.

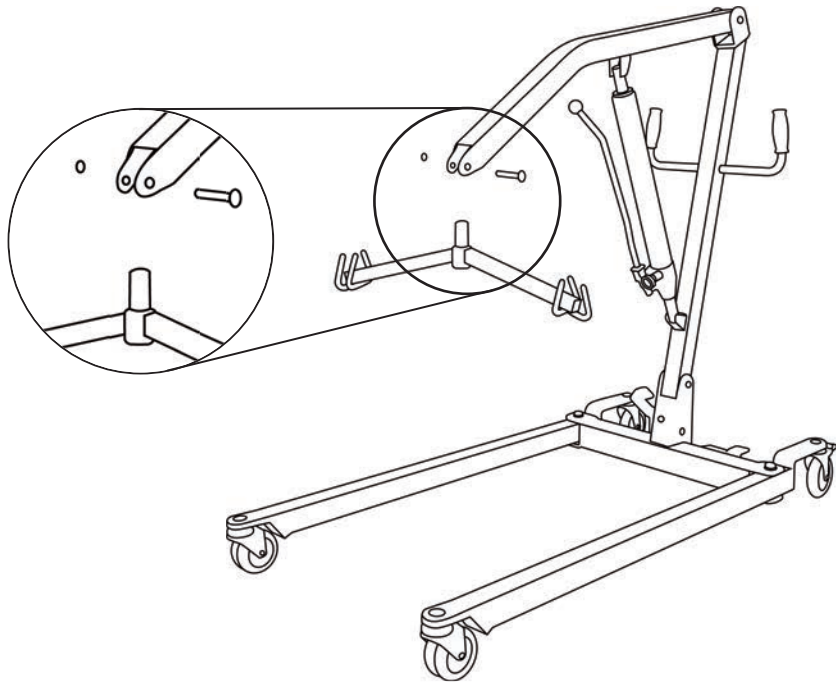
Note: The two longer bolts are used on sides (upper & lower holes), short one is used on the middle.

4. Use the included wrench to secure the bolts and nuts.

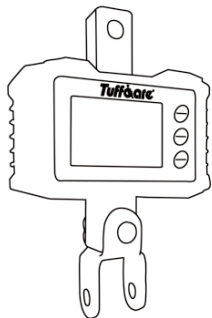
5. Check and tighten all hardware BEFORE use.

ATTACHING (OPTIONAL) SCALE

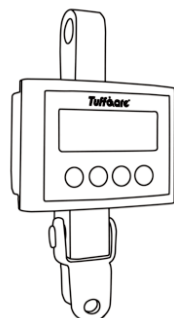
(Patient Lift Scale is to be Purchased Separately)




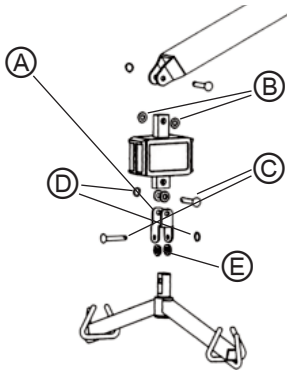




1. Remove the hanger bar from the lifter boom (pictured above).



Side Facing Display Scale



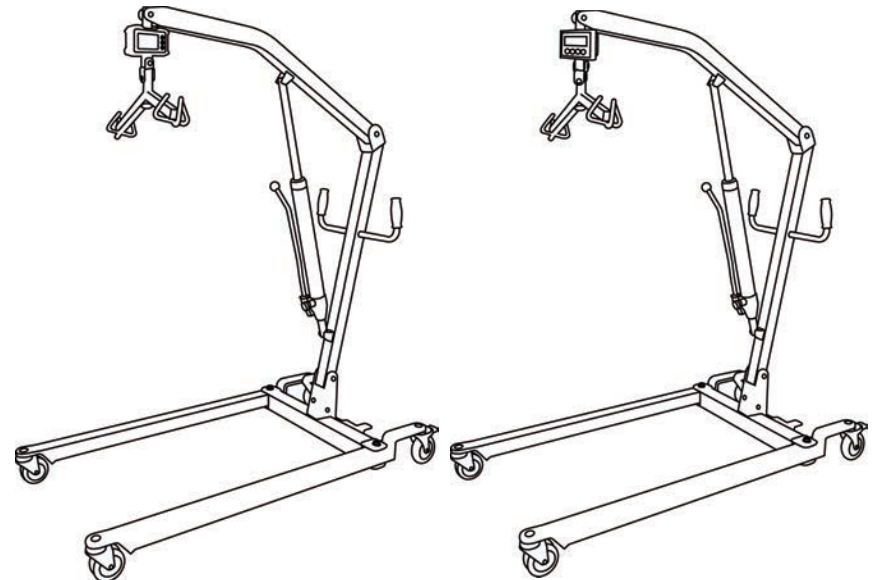
Front Facing Display Scale

A. Mounting Bracket		x 1	
B. Clear Plastic Washer		x 2	
C. Clevis Pin		x 2	
D. Split Ring		x 2	
E. Black Nylon Spacer		x 4	

2. Insert the top plate of the digital scale into the lifter boom. Then secure the scale with the lifter's bolt and the clear washers.

3. Install the mounting bracket to the bottom of the digital scale and secure it with a clevis pin, black washers, and a split ring.

4. Insert the hanger bar onto the bottom of the mounting bracket and secure it with a clevis pin, black washers, and a split ring.



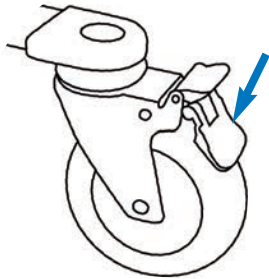
OPERATION

⚠ WARNING

DO NOT attempt to transfer until the user is assessed by a qualified professional. Please thoroughly read and fully understand the instructions in this Owner's Manual.

LOCKING/UNLOCKING THE REAR CASTERS

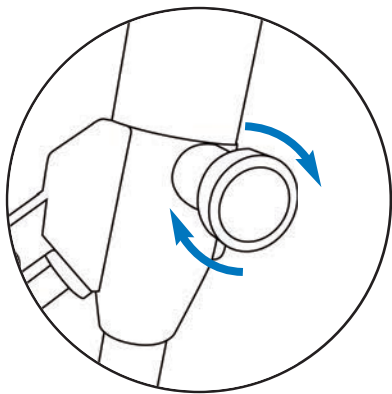
LOCK



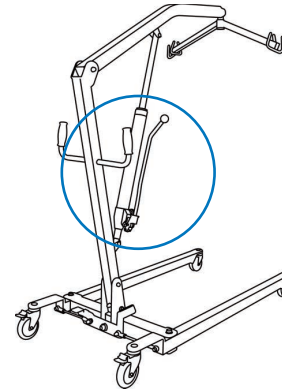
UNLOCK



RAISING/LOWERING THE PATIENT LIFT

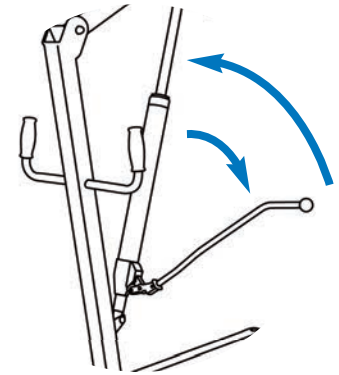


1. Tighten the knob all the way by rotating the knob clockwise. If the release valve is not securely tight, the unit will not lift. .



2. Locate the jack handle on the side of the up-down actuator.

3. Pull the jack handle down and push back up, using full strokes, to slowly pump up the up-down actuator and the lift arm.

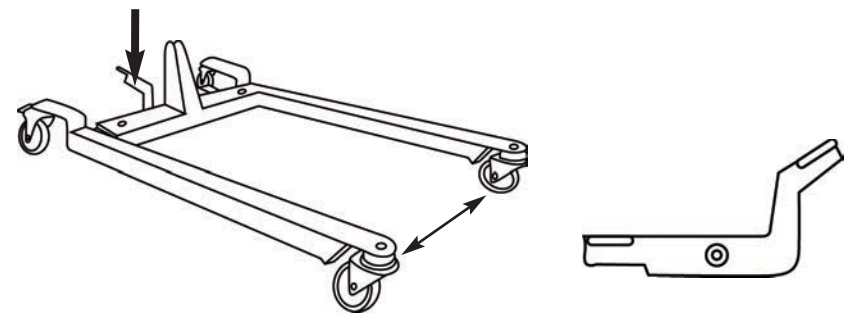


CLOSING/OPENING THE LEGS

To Open and Close the Legs on P1000

Step down on left side of "Leg Adjusting Stepper" to close the legs

Step down on right side of "Leg Adjusting Stepper" to open the leg.



LIFTING THE PATIENT

⚠ WARNING

1. **DO NOT** exceed the maximum weight limit of 1000 lbs.
2. **DO NOT** attempt to transfer until the user is assessed by a qualified professional. Thoroughly read and fully understand the instructions in this Owner's Manual.
3. **ALWAYS** keep hands and fingers clear of moving parts to avoid injury. Individuals that use the heavy duty patient sling **MUST** be able to support their own weight, otherwise injury may occur.
4. **DO NOT** move the patient if the patient lift sling is not properly connected to the attachment hooks on the lifting bar. Check that the patient sling is properly connected to the attachment holders **BEFORE** lifting the patient.
5. During transfer, with the patient suspended in the patient sling, **DO NOT** roll the base of the patient lifter over any uneven surfaces that would cause the patient lifter to become unstable.
6. **ALWAYS** use the handle on the mast assembly to move the patient lifter to ensure the safety of the user.

POSITIONING THE PATIENT LIFTER

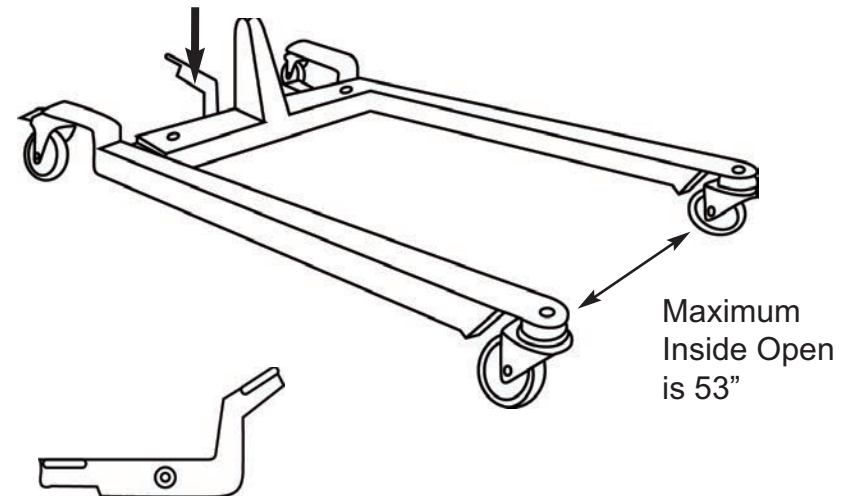
⚠ WARNING

The legs of the patient lifter **MUST** be in the maximum open position for stability and safety.

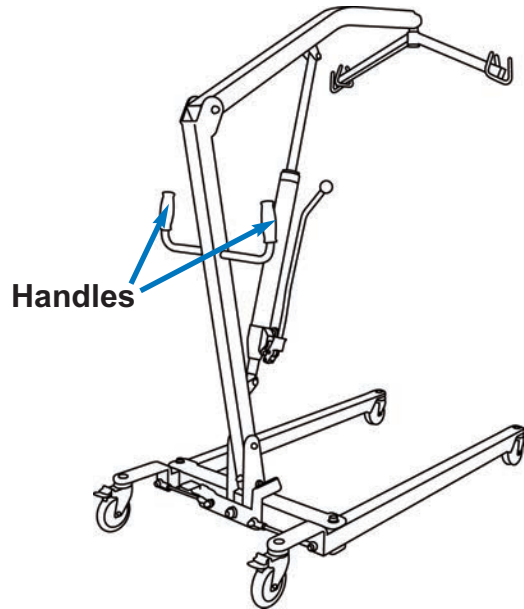
1. Open the leg section of the floor lift to obtain stability.

FOR P1000: Step down on right side of "Leg Adjusting Stepper" to open the legs to the maximum open position.

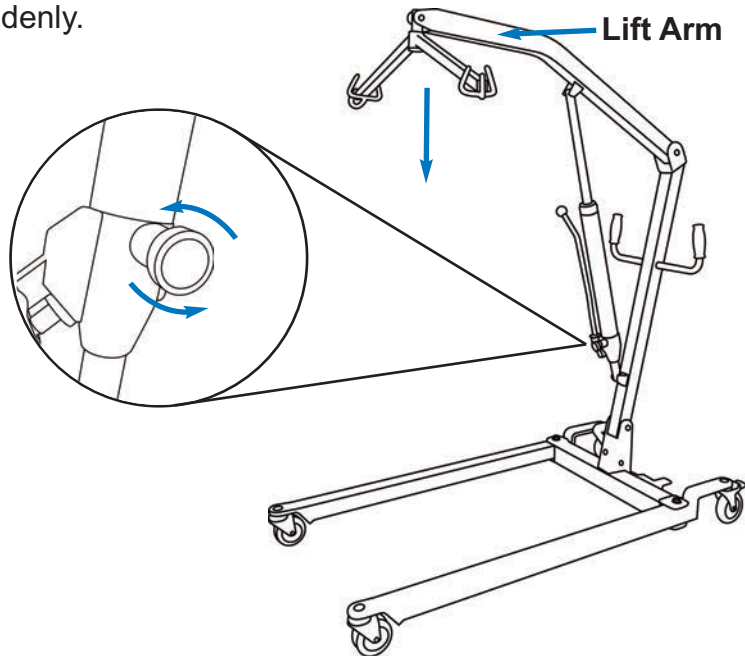
Step down on right to OPEN



2. Position the patient lifter using the handle on the mast.



3. Loosen the release knob to lower the lift arm by rotating counterclockwise. Loosen slowly as to not drop the arm lift suddenly.



TRANSFERRING THE PATIENT

⚠ WARNING

DO NOT attempt to transfer until the user is assessed by a qualified professional. Thoroughly read and fully understand the instructions in this Owner's Manual.

DO NOT move the patient if the straps on the sling are not properly connected to the attachment hooks of the patient lifter. Check that the sling is properly connected to the attachment hooks prior to lifting a patient.

DO NOT use patient slings and patient lifter of different manufacturers. TUFFCARE slings are made specifically for use with TUFFCARE floor type patient lifter. Otherwise, injury or damage may occur. The legs of the patient lifter **MUST** be in the maximum open position for optimum stability and safety.

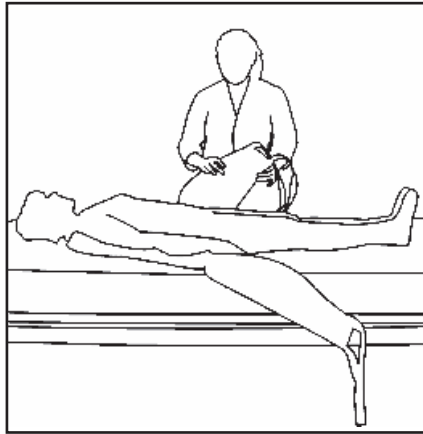
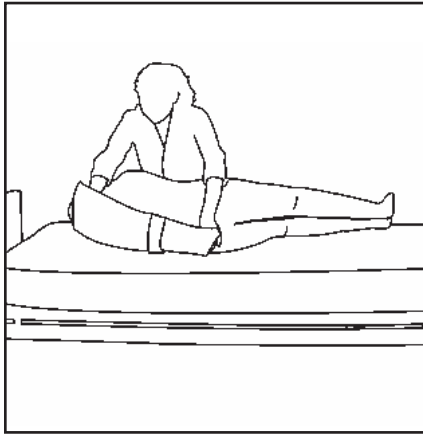
Be sure to check the sling attachments each time the sling is removed and replaced to ensure that it is properly attached before the patient is removed from a surface.

TRANSFERRING PATIENT FROM BED

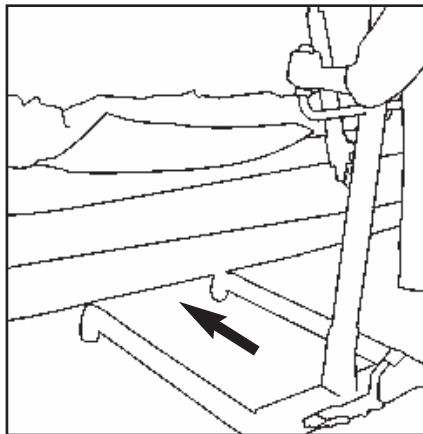
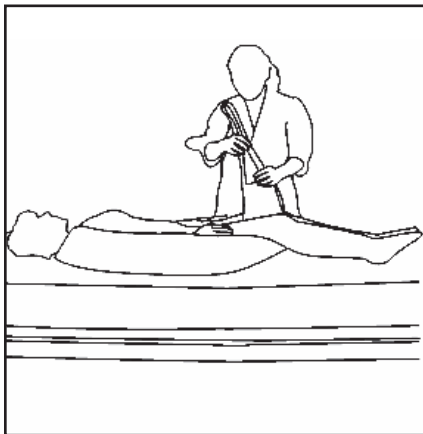
1. Carefully and gently roll the patient on their side. The sling seat should be folded lengthwise and placed under the patient so that the lower edge of the seat is slightly below the back.

2. Now roll the patient back onto their other side and pull the sling seat so that it unfolds under the patient. Then pull the leg loops forward and under the patient's thighs. The loops should come through the patient's legs. Then cross the loops.

3. Roll the base of the patient lifter under the bed as far as

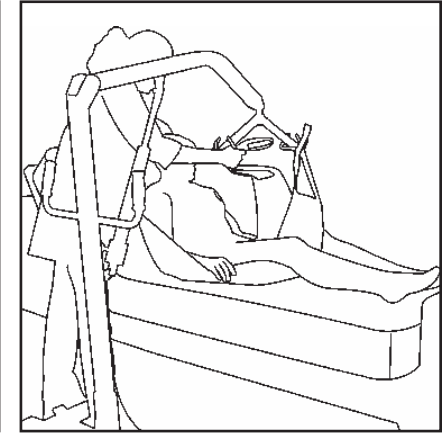
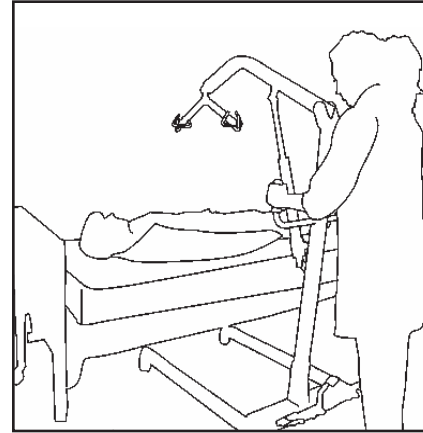


possible so that the cradle is directly over the patient. Lower the top bar and attach the loops on the sling to the hooks of the cradle.



4. Elevate the patient into an upright position by raising the head of the bed or by using pillows.

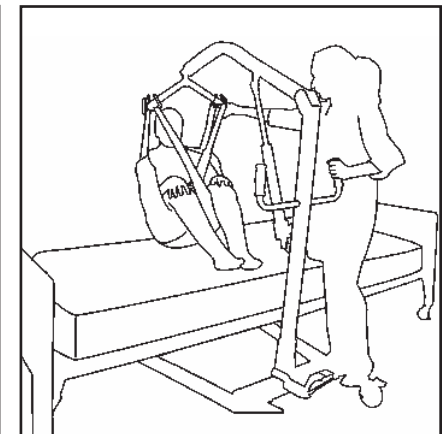
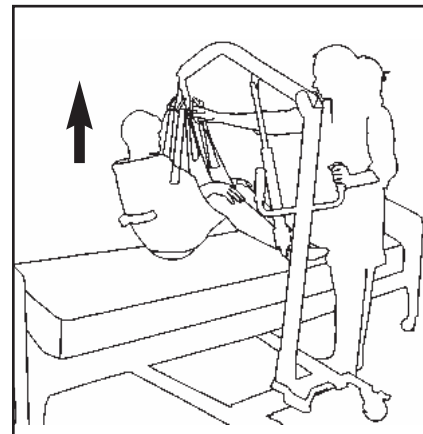
5. Make sure the parking brake is not set. It will allow the lift to center itself beneath the patient.



6. Raise the patient, make sure the patient is in a safe sitting position as the lifter rises.

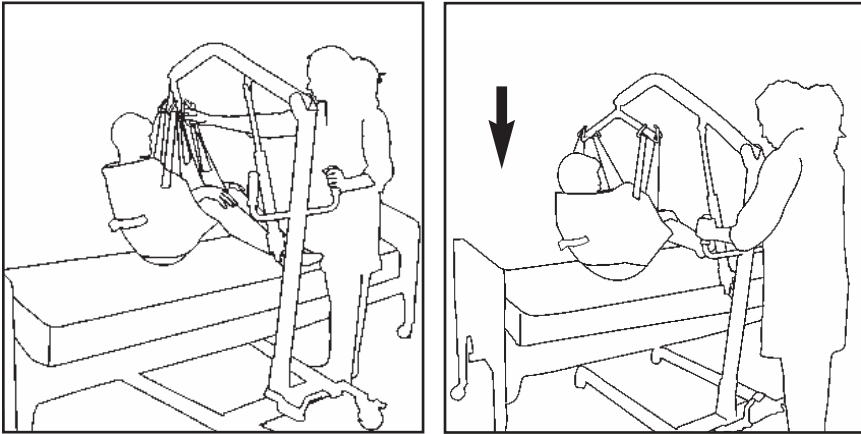
7. As the patient is being raised, the cradle will level the patient into a seated position. Raise the patient until their buttocks are just above the mattress. Rotate the patient to face the lifter so that the legs dangle off the side of the bed.

8. Transfer the patient to wheelchair or other transport device by holding onto the push handles.



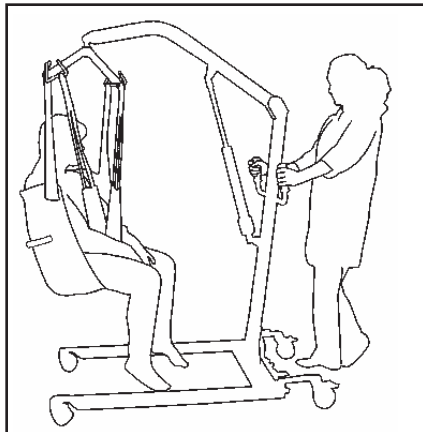
RETURNING PATIENT TO BED

1. Raise the lifter until the patient's buttocks are lifted above the mattress. If the patient can not be lifted above the bed try to lower the bed height. Do not push or pull patient onto the bed as this may tip over the lifter or injure the patient.
2. Move the patient lifter over the bed until the patient is approximately in the center. Lift the patient's feet and legs onto the bed. Gently rotate the patient to face end of the bed and slowly lower the patient onto the bed.



TRANSFER PATIENT IN LIFTER

1. When moving patients in the lifter try to keep the patient as low as possible. Keep the center of gravity low to the ground to avoid tipping over. Have the patient's feet rest on the base of the lifter. The patient must face the attendant at all times.
2. Push the lifter by grabbing on the the push handles. Do not attempt to go over deep carpet, small objects, or unpaved surfaces. Do not try to go up or down a slope over 5 degrees or one that's over the attendant's ability to handle.



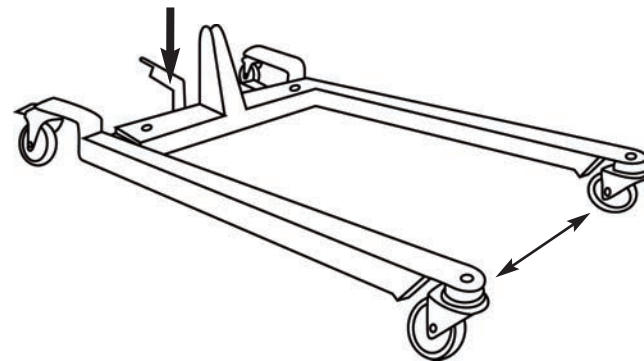
WARNING

When elevated a few inches off the seating surface of the wheelchair and before moving the patient, check again to make sure that all hardware and straps/chains are properly connected. If any attachments are **NOT** properly in place, lower the patient completely to correct this problem.

Adjustments for safety and comfort should be made before moving the patient. Patient's arms should be inside of the chains or straps.

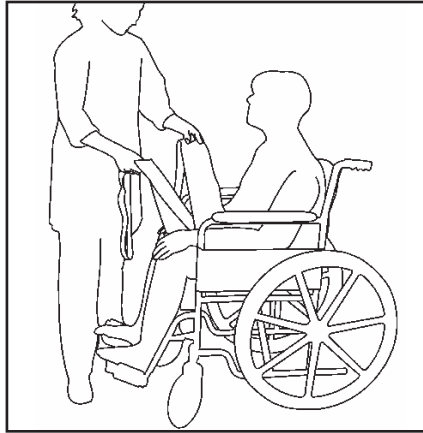
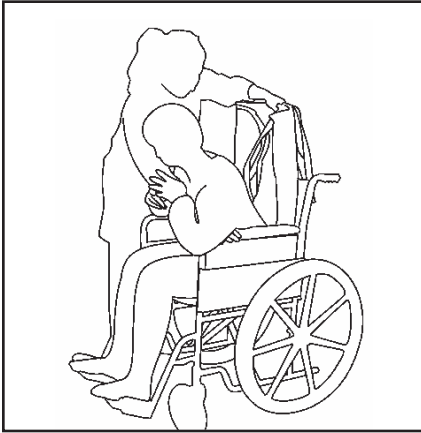
TUFFCARE slings and Hardware are designed specially for use with TUFFCARE Patient Lifter. For the safety of the patient, **DO NOT** intermix slings and patient lifter of different manufacturers.

NOTE: Tuffcare recommends that two assistants be used when transferring a patient to a wheelchair. Ensure the legs of the lifter (with patient) are in the maximum open position.



TRANSFERRING PATIENT FROM WHEELCHAIR

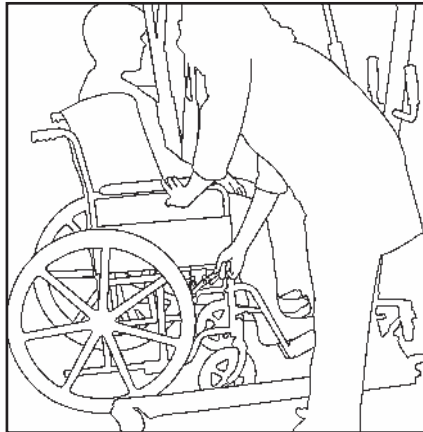
1. Secure the wheelchair from rolling back by engaging both wheel locks on the wheelchair.
2. Lean patient forward and set the folded sling behind the patient's back. Set the sling as far down as possible until it touches the back of the wheelchair seat.
3. Open the sling, pull the button loop section of the sling under patient's thighs then cross the loops



4. Move the lifter over the wheelchair and attach the loops to the cradle hooks. Then slowly raise the patient above the seat.

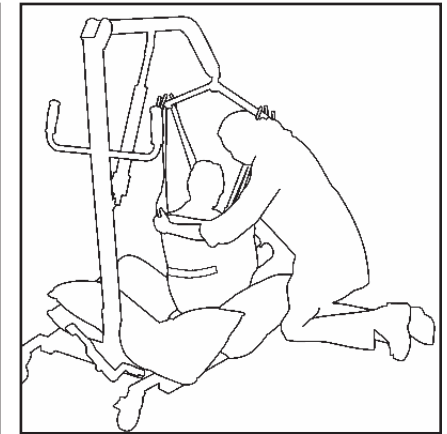
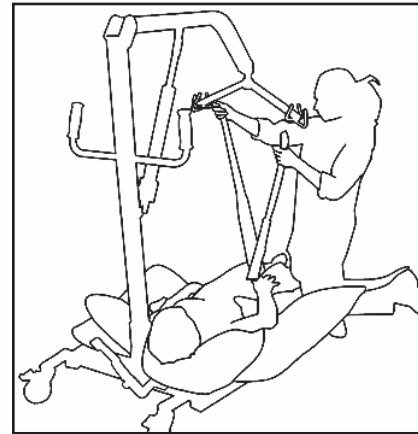
TRANSFERRING PATIENT TO WHEELCHAIR

1. First lock both brakes on the wheelchair. Position the lifter over the middle of the wheelchair seat.
2. Lower the lifter slowly and while descending, guide the patient into the chair by pushing on the knees until that the patient has reached a comfortable sitting position.
3. Detach the sling seat and roll the patient lifter away. Then remove the sling seat under the patient.



RAISE THE PATIENT FROM THE FLOOR

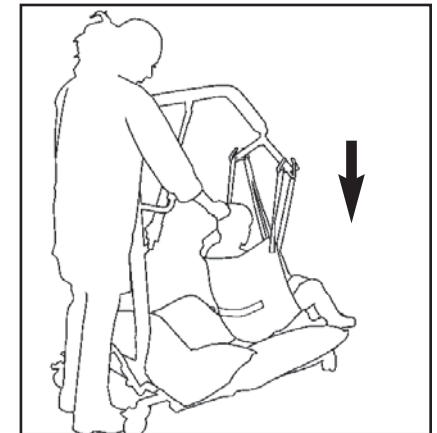
1. Roll the patient on their side and place the sling under the patient.
2. Move the lifter over the patient. Next place 1 or 2 pillows beneath the patient's head and shoulders, preventing any possible strain or injury when lifting the patient.



3. Lower the lifter so the loops on the sling can reach the hooks on the lifter bar, attach the loops.
4. Lift the patient off the floor. Turn the cradle so the patient is facing towards the upright bar. Rest the patient's legs on the base of the lifter.

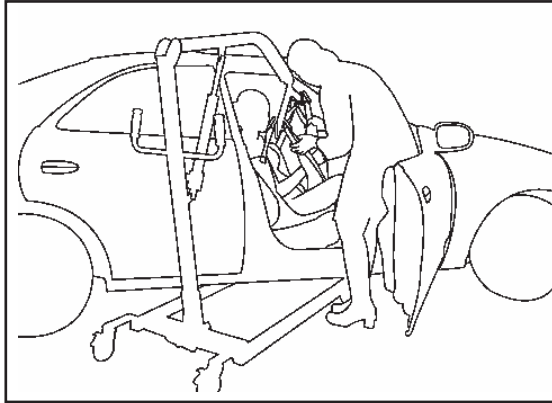
LOWER THE PATIENT TO THE FLOOR

1. Before lowering the patient, the patient should be centered in the sling.
2. Place a few pillows on the base of the lifter, to prevent the patient from hitting the base. Then slowly lower the sling to the floor. While lowering make sure the pillows are beneath the patient's head.

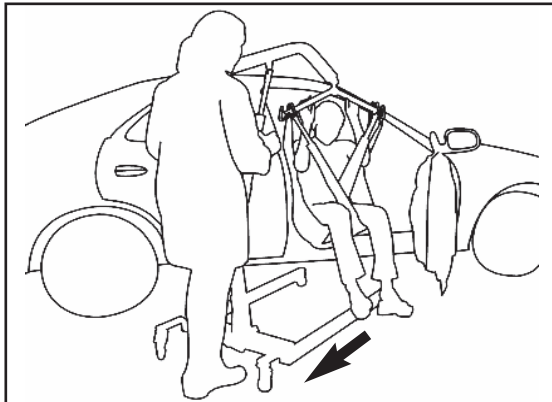


TRANSFER FROM AUTOMOBILE

1. Park the automobile on a flat, smooth surface. Open the car door all the way.
2. Set a folded sling under the patient's back until the bottom of the sling touches the auto seat. Lift the patient's thighs and pass the end loops under the patient's legs. Cross the loops.



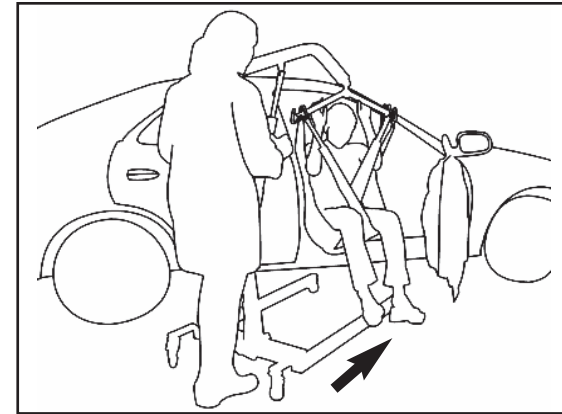
3. Lower the lifter's top bar so the cradle can clear the top of the door. Move lifter closer to auto so the loops on the sling can be attached to the hooks on the cradle.



4. Raise the lifter slowly and move the lifter back an inch at a time. Repeat this process a few times until the patient's weight is rested on the sling.
5. Move lifter away from the car and rotate the sling so that patient is facing the attendant.

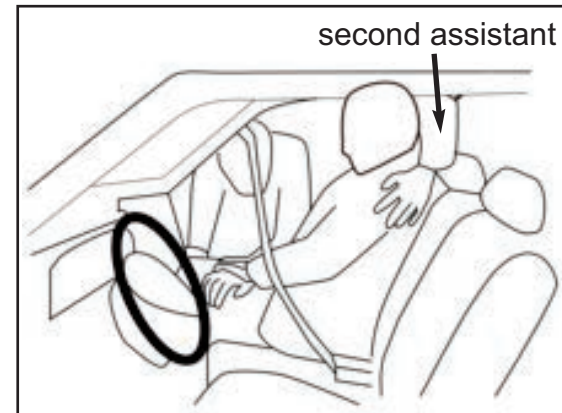
TRANSFER TO AUTOMOBILE

1. Push the lifter towards the car door. Approach the car with patient's back to the car seat.



2. Lean patient forward and adjust the sling to correct height so their head will clear the car door. Continue to move the lifter forward until patient is inside the car.

3. Lift the patient's feet and legs inside the door and face the patient to the front of the car.



4. Slowly lower the lifter until the patient's weight is rested on the car seat. Remove the sling from patient's back or leave it behind patient for transferring out of the car when destination has been reached. The lifter can be disassembled and placed in a car trunk.

MAINTENANCE

CLEANING THE LIFT

- The lift can be cleaned with non-abrasive cleaners. Make sure that the wheels are free of hair, lint and other debris.

DETECTING WEAR AND DAMAGE

- Check monthly that all screws are tight and have not loosened.
- Inspect monthly for signs of cracking, fraying, or any deterioration.
- Contact your equipment provider for replacement of any defective parts immediately and ensure that the lift is not used until repair job is completed.

LUBRICATING THE LIFT

- A light grease lubricant may be applied to the ball bearing and swivel of the casters every three months.

PERFORMING REGULAR MAINTENANCE

- Regular maintenance of the lift and accessories is required to ensure proper operation. The casters and axle bolts are also required to be checked for proper tightness.

LIMITED WARRANTY

The warranty below has been drafted to comply with Federal Law applicable to products manufactured after July 4, 1975. This warranty is extended only to the original purchaser/consumer (or dealer non-consumer who does not buy for resale).

Tuffcare® warrants that its Rhino Series patient lifters will be free from defective workmanship and materials for a period of one (1) year following the date of original purchasing date with the following exceptions: All welds are warranted for the life of the lift. Parts on the lifts are warranted for one (1) year. The warranty period commences on the original purchasing date. If within such warranty period any such product proven to Tuffcare® satisfaction to be defective, such product will be repaired or replaced at Tuffcare® option.

Tuffcare® sole obligation and your exclusive remedy under this warranty shall be limited to such repair and/or replacement. This warranty does not include any labor charges incurred in replacement parts installation. Freight charges to the factory are at the expense of the consumer or seller. Return freight charges will be prepaid by Tuffcare®. For warranty service, please contact the authorized dealer from whom you purchased your Tuffcare® products. In the event that you do not receive satisfactory warranty service, please write directly to: Tuffcare®: 4977 La Palma Ave, Anaheim, California, 92807.

DO NOT RETURN PRODUCTS WITHOUT PRIOR AUTHORIZATION.

LIMITATIONS AND EXCLUSIONS: The foregoing warranty shall not apply to products subjected to negligence, abuse, misuse, improper operation, improper maintenance, improper storage or damages beyond Tuffcare® control. The evaluation will be solely determined by Tuffcare®. The warranty shall not apply to problems arising from normal wear, or failure to follow instructions, or if parts are not manufactured by Tuffcare®, or do not comply with original equipment specifications that are added to Tuffcare® product.

THE FOREGOING WARRANTY IS EXCLUSIVE AND IN LIEU OF ALL OTHER WARRANTIES, INCLUDING BUT NOT LIMITED TO THE IMPLIED WARRANTIES OF MERCHANTABILITY AND FITNESS FOR A PARTICULAR PURPOSE AND SHALL NOT EXTEND BEYOND THE DURATION OF THE EXPRESS WARRANTY PROVIDED HEREIN. TUFFCARE® SHALL NOT BE LIABLE FOR ANY CONSEQUENTIAL OR INCIDENTAL DAMAGES WHATSOEVER.

This warranty gives you specific rights and you may also have other legal rights which vary from state to state. Some states do not allow the exclusion or limitations of incidental or consequential damage, or limitation on how long an implied warranty