

**Century TLN3120 , TLN 4220
Institutional Low Bed
Operation Manual**

ATTENTION

Before using this Medical Device read this manual. If you are unable to understand, contact your equipment provider for technical support before attempting to use this product.

TABLE OF CONTENTS

Table of Contents	1
Forward	2
Safety Precautions	3
Assembly Precautions	3
Product Diagram	4
Product Specifications	5
Assembly	
Head & Footboard	6 - 7
Half Bed Side Rails	8 - 9
Mattress End Stops	10
Operation	
Locking/Unlocking the Caster Brakes	11
Raising/ Lowering the Bed	12
Control Panel Functions	13 - 14
Junction Box Functions	15
Raising/Lowering the Bed Side Rails	16
Maintenance	17
Warranty	18

FORWARD



Congratulations on your purchase of a TUFFCARE Century™ bed. Our institutional bed is specially engineered and designed for Alzheimer residents or others with chronic impairments which will reduce their degree of independence in activities of daily living. Our institutional beds are fully electric adjustable low beds. The bed height, head, and foot angle functions are standard, and are all motor controlled with stylish controls. A standard battery back up system can last up to three hours during a power failure. All the wonderful features make these beds the best choice for long term care.

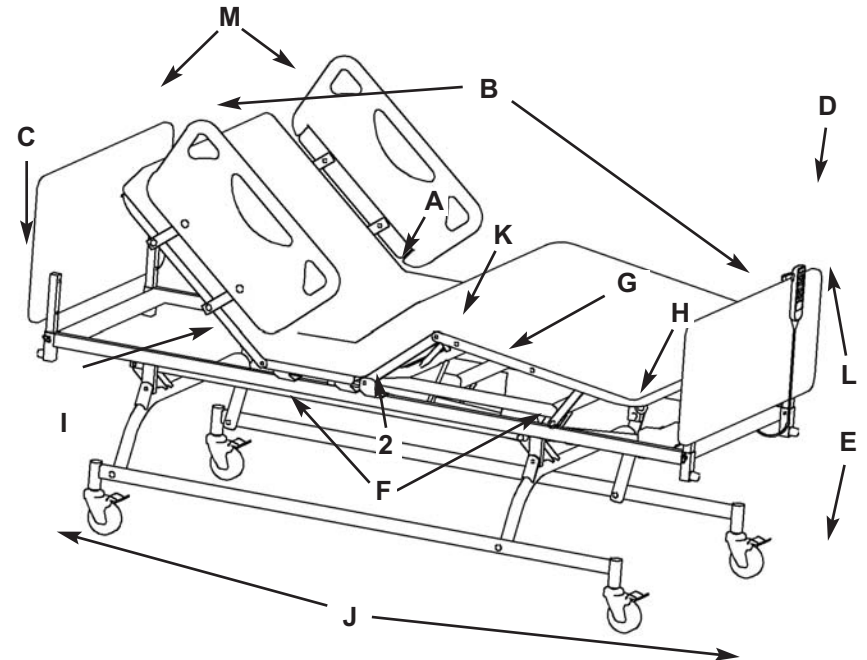
SAFETY PRECAUTIONS

- ⚠ Do not operate your institutional bed until you have read and fully understand this manual. If you are unable to understand, contact your equipment provider for technical support before attempting to use this bed.
- ⚠ Do not operate your institutional bed until it is fully assembled and checked.
- ⚠ Do not place arm or head into the frame while operating. Stand clear of device frame before operating. Operating this device with any part of the body in the frame can result in injury.
- ⚠ Do not leave loose clothing or self in between moving parts. Keep fingers and arms away when bed is in movement. Pinch points exist at base of bed. USE CAUTION, otherwise injury could occur.
- ⚠ Do not use if power cord is cut, frayed or loosely connected to the device.
- ⚠ Do not expose electrical components to any highly flammable items. Power cord may be damaged by inappropriate handling, kinking, shearing or other mechanical damages.
- ⚠ Do not position the bed to make it difficult to disconnect from supply mains.
- ⚠ Do not plug into an inadequate electrical outlet. To avoid the risk of electrical shock, this equipment must only be connected to the supply mains with protective earth. The power supply cord can only be replaced by service personnel.
- ⚠ Do not expose your institutional bed to weather or moisture.
- ⚠ Do not exceed maximum weight limit of the bed. The weight limit for the bed is 600 lbs.
- ⚠ Do not modify this equipment without authorization of the manufacturer. After reading the instruction, it should be put in a place where it can be seen at any moment.

ASSEMBLING PRECAUTIONS

- ⚠ Pre-assembled one piece grid design frame with fully loaded electronics system requires minimum set up.
- ⚠ Do not over-tighten mounting hardware, It will cause damage to mounting brackets.
- ⚠ Be sure that bed side rails are properly attached on main frame before the patient is moved into the bed.
- ⚠ Secure the caster locks in place to prevent the bed moving.
- ⚠ The medical bed should be left in its lowest position when the patient is unattended in order to reduce RISK of injury due to falls.

PRODUCT DIAGRAM



- | | |
|---------------------------------|---------------------|
| A. Foam Mattress | B. Mattress Stop |
| C. Headboard | D. Footboard |
| E. Locking System | F. Hi-Low Motor |
| G. Foot Section Motor | H. Main Frame |
| I. Head Section Motor | J. Caster with Lock |
| K. Controller W/ Backup Battery | L. Hand Pendant |
| M. Half Bedside Rails | |

WARNING SAFETY ALERT LABEL

**⚠ WARNING SAFETY ALERT
BEWARE OF SIDE-RAIL ENTRAPMENT**
Patient Entrapment with bed side rails may result in serious injury or death. ALWAYS evaluate patient for and guard against bed rail entrapment in accordance with medical protocols. Monitor patient frequently. Mattress MUST fit bed frame and side rails snugly to prevent entrapment. There may be an increased risk of entrapment when bed rails are used in conjunction with low air loss products. Follow the Safety Warnings and Operating Instructions in the service/User's manual. Contact your dealer or visit WWW.TUFFCARE.COM.

1. BEWARE OF SIDE-RAIL ENTRAPMENT

⚠ WARNING Crush Hazard due to LOW BED CLEARANCE
Stay clear of frame and ensure children and pets are not under or near the frame before lowering the bed. Beware of PINCH POINTS below deck panels, next to fixed attachments and between moving parts.

PRODUCT SPECIFICATION

Control Operation: Triple DC Motors System with 4 Function Pendant

Bed Fabric Height: 9.75 - 24.5 inches

Sleep Surface: TLN3120 – 36 x 80 inches
TLN4220 – 42 x 80 inches

Overall Length: 87 inches

Overall Width: T8036 – 36 inches, T8042 – 42 inches

Overall Height (with Side Rail Up): 41 inches

Maximum Back Angle to Horizontal: 65 degrees

Maximum Knee Angle to Horizontal: 43 degrees

Maximum Knee to Leg Angle: 120 degrees

Casters: 4 x 4" Swivel Casters w/Locking Braking System

Rail Height (from Fabric): 16.50 inches

Board Height (from Fabric): Headboard - 17 inches
Footboard - 14.5 inches

Weight Capacity: 36" - 450 lbs, 42" - 600 lbs

Weight: TLN3120 - 158 lbs, TLN4220 - 210 lbs,
Emergency Backup Battery: Yes

Limited Warranty Bed/Electronics: 3 Years/1 Year

ASSEMBLY

⚠ WARNING

Use only Tuffcare parts to complete this bed assembly.

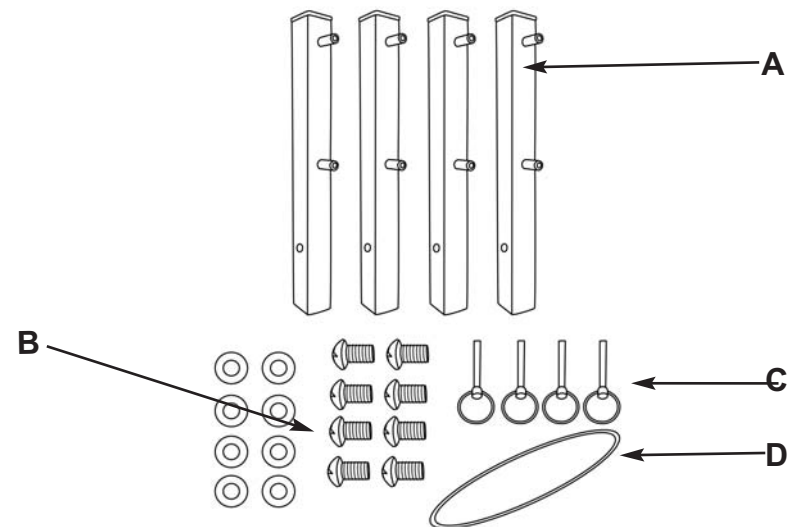
ASSEMBLING THE HEAD/FOOT BOARD ON THE MAIN FRAME

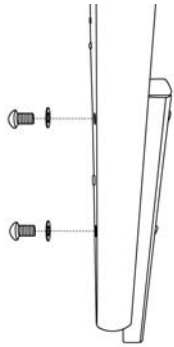
Note: Check Head Board (Size: 36" or 42"x15"), Foot Board (Size:36" or 42" x15") and hardware before installation.

Pre-assembled one piece grid design frame with fully loaded electronics system, no assembling required for main frame.

Hardware Pack

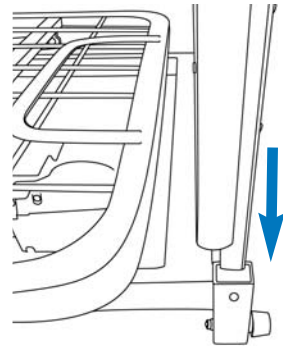
- A.** 2 sets of supporting bar brackets
- B.** 8 sets of Phillips Pan Head Screws with Washers
- C.** 4 pcs of Pin Locks
- D.** 4 pcs of Pin Lock Retaining Band



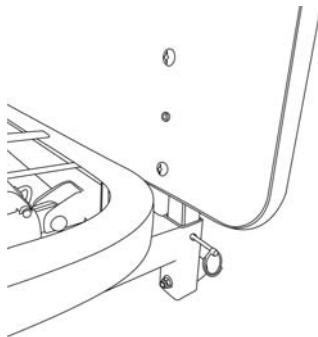


1. Install headboard and footboard, using 2 pcs of phillips pan head screws to secure the headboard or footboard on supporting bars and use hole plug to cover the screw. Repeat the process for the other side.

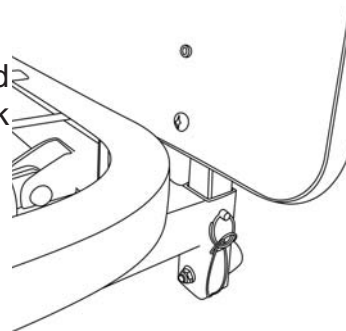
3. Use both hands to position the headboard or footboard. Align the supporting bar screw into the holes of bracket then slide headboard or footboard down.



3. Secure the pin lock into the lower hole on the supporting bar, then repeat the other side.

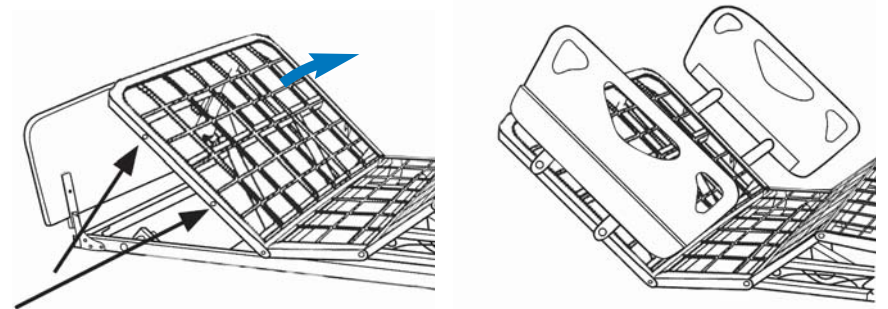


4. Secure the pin lock to the bed frame by tying the security pin lock band into a knot

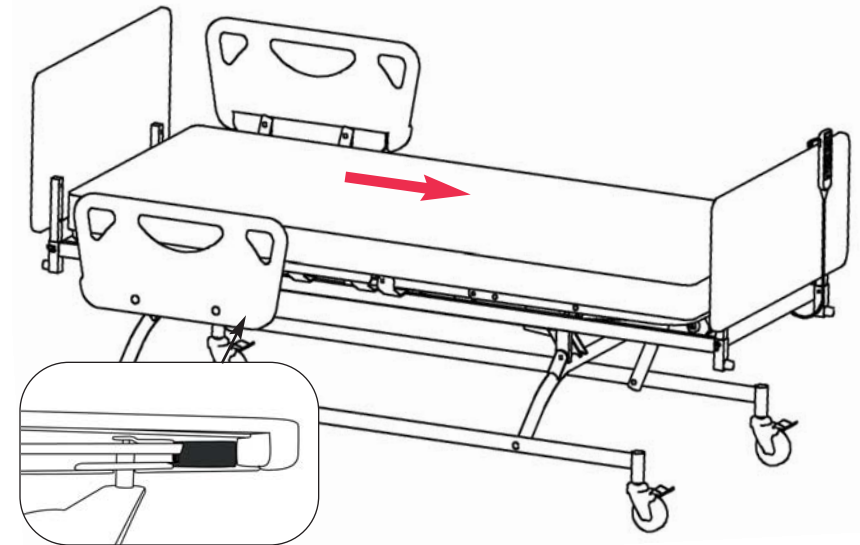


ASSEMBLING SWING-DOWN HALF BED SIDE RAILS

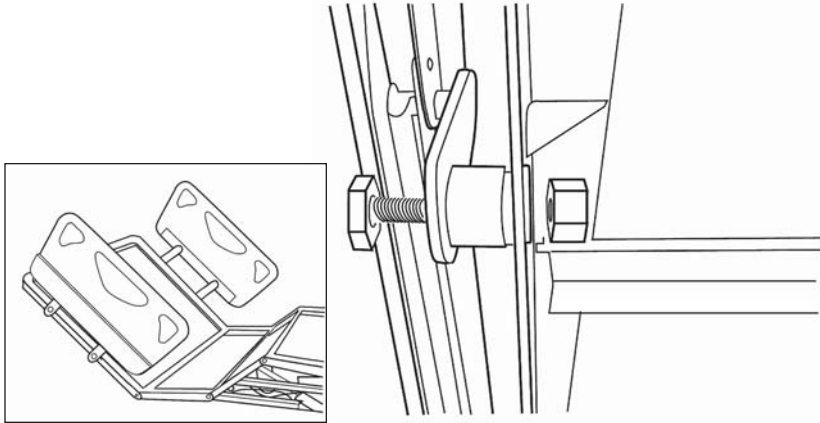
Note: Secure the caster locks in place to prevent the bed moving.



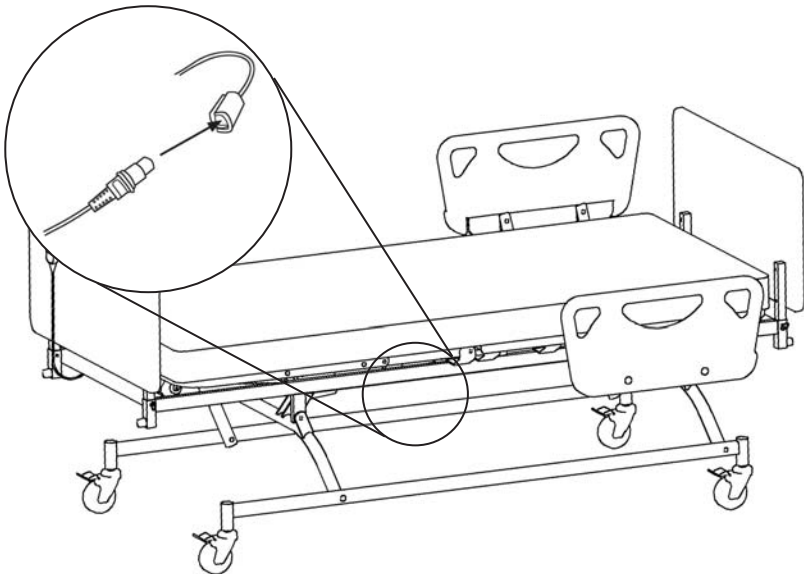
1. Raise the head frame to expose the holes on top of bed frame.
2. Position half bedside rails swing bars on top of bed frame.



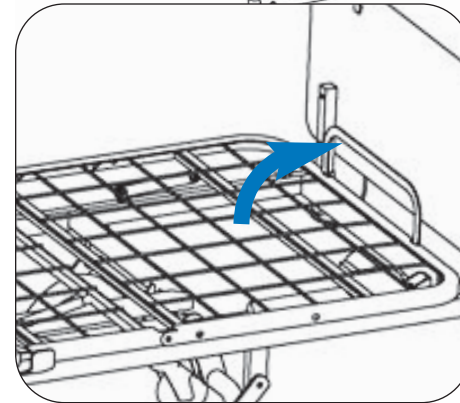
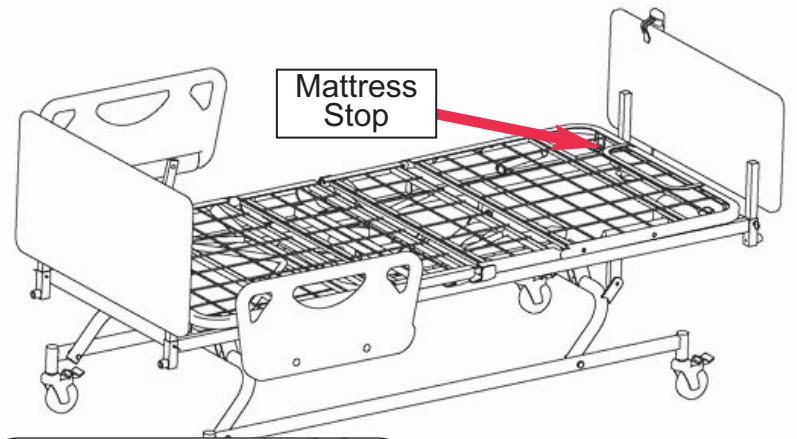
3. Make sure the side with the black release lever faces the foot end of the bed. (Optional 2nd pair of side rail also need to have the lever side face the same direction.)



4. Install bolt and tighten into the holes while holding the nut with your other hand.
5. Use 7/8" wrench (bolt) & 3/4" wrench (Nut) to secure the swing bars on top head section frame.



6. Connect the 4 pin round plug into the junction box for built-in back up rechargeable battery.



There is one mattress stop located on the end of the bed surface. Flip up the mattress stop and insert the mattress in to hold it in place.

OPERATION

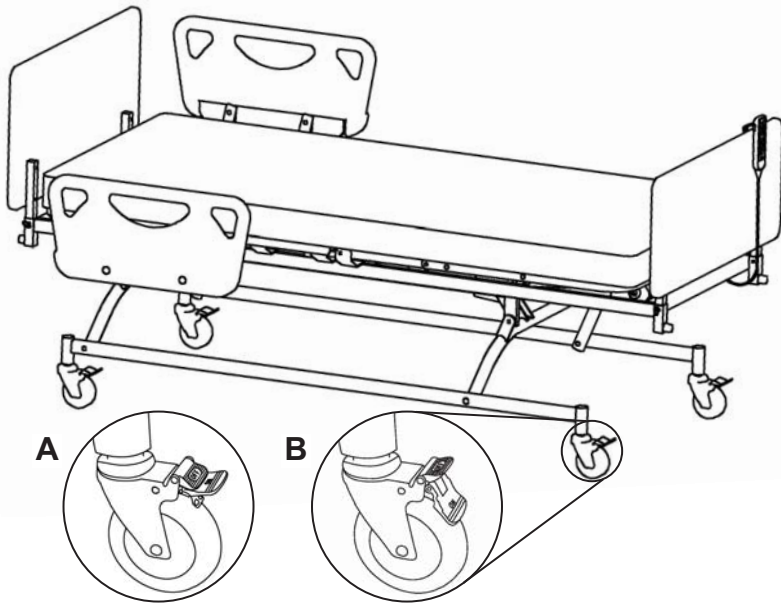
PREPARING THE BED FOR USE

1. Make sure all of electronic components are well connected, and all of wires are clear from moving parts.
2. Check and tighten all hardware BEFORE use.

⚠ WARNING

The user must be assessed by a qualified professional. Thoroughly read and fully understand the instructions in this Owner's Manual. If you are unable to understand, contact your equipment provider for technical support before attempting to use this bed.

LOCKING/UNLOCKING THE CASTER BRAKES



- A. Depress the OFF pedal to UNLOCK all four caster wheels
B. Depress the ON pedal to LOCK all four caster wheels

RAISING/LOWERING THE BED

⚠ WARNING Make sure all four wheel locking brakes are engaged to prevent bed from shifting.

⚠ WARNING DO NOT exceed the maximum weight limit of Beds: 36" wide TLN3120 – 450 lbs, 42" wide TLN4220 – 600 lbs.

⚠ WARNING Operation of this device with any part of the body in the frame can result in injury. Do not place arm or head into the frame while operating.

⚠ WARNING Stand clear of device frame before operating.

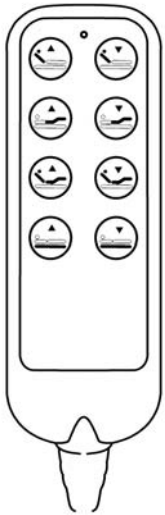
⚠ WARNING Rotating Parts. Keep fingers and arms away when mechanism is moving.

⚠ WARNING Keep fingers and arms away when bed is in motion to avoid pinching.

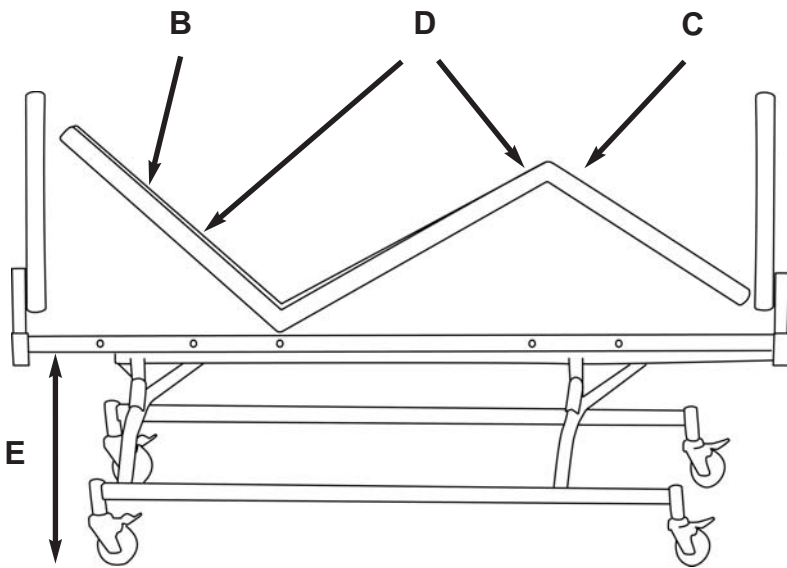
⚠ WARNING Electrical hazard may occur if the device is plugged into an inadequate electrical outlet. To avoid electrical shock hazard, make sure that the bed is plugged into a grounded 110 Volt outlet. Before operating, make sure casters are in their proper operating position. Hand Controller Functions, press button indicated to move bed.

PENDANT FUNCTIONS

Press indicated buttons to move the bed up and (or) down.

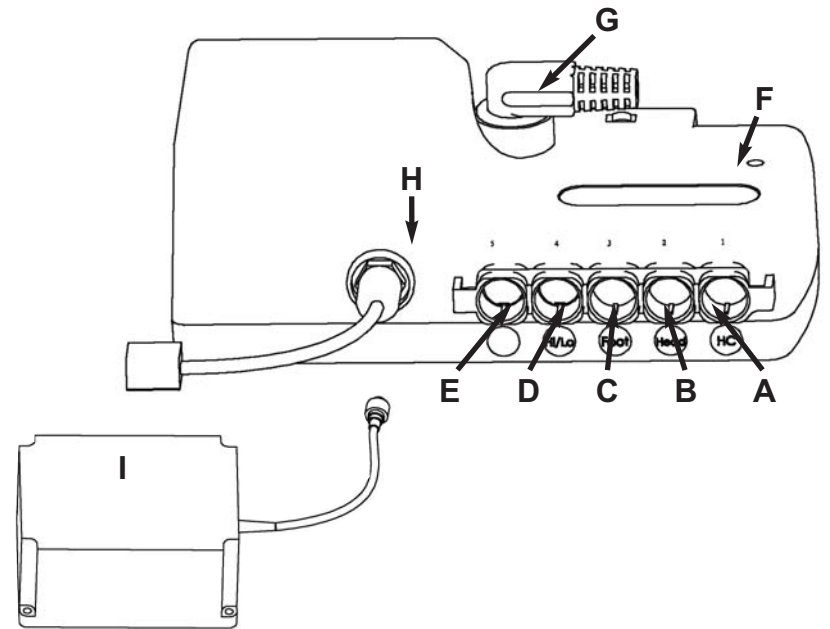


- A.** Green LED Indicator Light
- B.** Head Section
- C.** Foot Section
- D.** Head & Foot Section
- E.** Hi-Low Section



JUNCTION BOX FUNCTIONS

Control of all of electronic components.

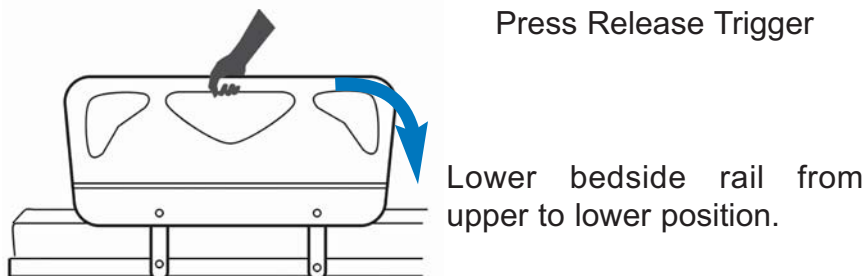
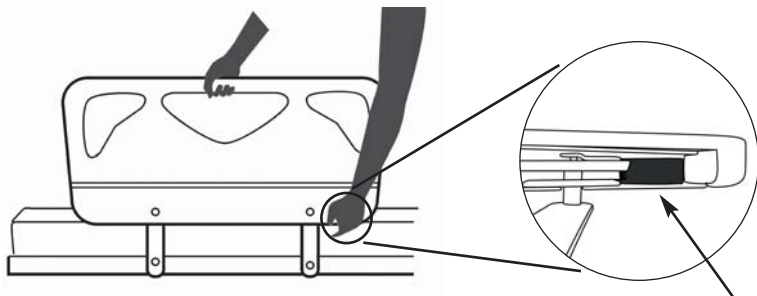
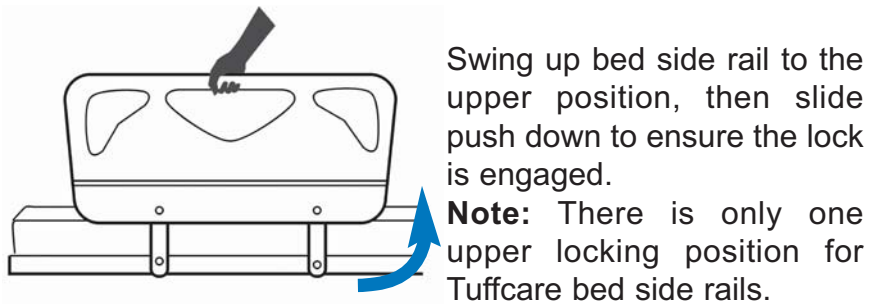
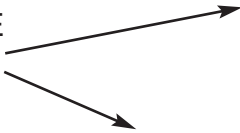


- A.** Hand Pendant Receptacle
- B.** Head Motor Receptacle
- C.** Foot Motor Receptacle
- D.** Hi-Low Motor Receptacle
- E.** NOT IN USE.
- F.** Power & Battery Indicator Light (green when charged)
- G.** Power Cord with Ground connection
- H.** Backup Battery Plug-in
- I.** Built-in Backup Re-chargeable Battery

Use built-in rechargeable battery backup power for emergency operation. Note: The indicated light will be turned green when battery is fully charged.

RAISING UP & LOWERING DOWN BEDSIDE RAILS

BEDSIDE
RAILS



MAINTENANCE

CLEANING THE BED

- The Bed can be cleaned with non-abrasive cleaners. Make sure that the wheels are free of hair, lint and other debris.

DETECTING WEAR AND DAMAGE

- Check monthly that all screws are tight and have not loosened.
- Check monthly for damaged or exposed wires on the electrical components.
- Inspect monthly for signs of cracking, fraying or any deterioration.
- Contact your equipment provider for replace of any defective parts immediately and ensure that the bed is not used until repair job is completed.

LUBRICATING THE BED

- A light grease lubricant may be applied to the ball bearing and swivel of the casters every three months.

PERFORMING REGULAR MAINTENANCE

- Regular maintenance of the bed and accessories is required to ensure proper operation. The casters and axle bolts are also required to be checked for proper tightness.

TROUBLE SHOOTING

If the following solutions do not solve your issue, please contact your local representative.

Problem	Solution
Wheels struggling or unable to move Cause: Debris obstructing bearing	Unfasten the wheels from the caster forks one by one and clean any built up hair and debris to restore their proper functionality.
Bed does not stay in place	Reset wheel lock on caster(s).
Hi/Low function does not work	Check power cord and all connections to junction box; ensure the load does not surpass weight capacity of bed.
No Power	Unplug power cord, Reset button on power outlet.
Actuator(s) not working	Re-plug actuator(s) connector.
Pendant not working	Re-connect the cable to the junction box.
Junction Box indicator Light off	System Fault Reset power in 60 seconds.
Headboard or footboard unstable	Ensure the headboard and footboard have been properly mounted as per the assembly instructions.
Excessive noise coming from actuator/bed frame	If the actuator is making strange noises during use, inspect for damage and contact your supplier. If the frame is making dry sounds during electronic movement, lubricate the joints.

LIMITED WARRANTY

The warranty below has been drafted to comply with Federal Law applicable to products manufactured after July 4, 1975. This warranty is extended only to the original purchaser/consumer (or dealer non-consumer who does not buy for resale).

Tuffcare® warrants that its proprietary Institutional Beds will be free from defective workmanship and materials for a period of three (3) years following the date of original manufacture with the following exceptions: All welds are warranted for the life of the bed. Electronics on the beds are warranted for one (1) year. The warranty period commences on the original manufacture date. If within such warranty period any such product proven to Tuffcare® satisfaction to be defective, such product will be repaired or replaced at Tuffcare® option.

Tuffcare® sole obligation and your exclusive remedy under this warranty shall be limited to such repair and/or replacement. This warranty does not include any labor charges incurred in replacement parts installation. Freight charges to the factory are at the expense of the consumer or seller. Return freight charges will be prepaid by Tuffcare®. For warranty service, please contact the authorized dealer from whom you purchased your Tuffcare® products. In the event that you do not receive satisfactory warranty service, please write directly to Tuffcare®: 4977 La Palma Ave, Anaheim, California, 92807. DO NOT RETURN PRODUCTS WITHOUT PRIOR AUTHORIZATION.

LIMITATIONS AND EXCLUSIONS: The foregoing warranty shall not apply to products subjected to negligence, abuse, misuse, improper operation, improper maintenance, improper storage or damages beyond Tuffcare® control. The evaluation will be solely determined by Tuffcare®. The warranty shall not apply to problems arising from normal wear, or failure to follow instructions, or if parts are not manufactured by Tuffcare®, or do not comply with original equipment specifications that are added to Tuffcare® product.

THE FOREGOING WARRANTY IS EXCLUSIVE AND IN LIEU OF ALL OTHER WARRANTIES, INCLUDING BUT NOT LIMITED TO THE IMPLIED WARRANTIES OF MERCHANTABILITY AND FITNESS FOR A PARTICULAR PURPOSE AND SHALL NOT EXTEND BEYOND THE DURATION OF THE EXPRESS WARRANTY PROVIDED HEREIN. TUFFCARE® SHALL NOT BE LIABLE FOR ANY CONSEQUENTIAL OR INCIDENTAL DAMAGES WHATSOEVER.

This warranty gives you specific rights and you may also have other legal rights which vary from state to state. Some states do not allow the exclusion or limitations of incidental or consequential damage, or limitation on how long an implied warranty