

**Century T7036, T7042
Long Term Care Bed
Operation Manual**



ATTENTION

Before using this Medical Device read this manual. If you are unable to understand, contact your equipment provider for technical support before attempting to use this product.

TABLE OF CONTENTS

Table of Contents	1
Forward	2
Safety Precautions	3
Assembly Precautions	3
Product Diagram	4
Product Specifications	5
Assembly	
Main Frame	6
Head Section Motor	7
Head & Footboard	8 - 9
Operation	
Locking/Unlocking the Caster Brakes	10
Raising/Lowering the Bed	11
Control Panel Functions	12
Junction Box Functions	12
Back up Battery	12
Maintenance	13
Warranty	14

FORWARD



Congratulations on your purchase of a TUFFCARE Century™ bed. Our long term care bed is specially engineered and designed for Alzheimer residents or others with chronic impairments which will reduce their degree of independence in activities of daily living. The T7000 is a fully electric adjustable bed. The bed height, head and foot angles functions are standard, along with trendelenburg and reverse trendelenburg functions that are all motor controlled with stylish controls. Lounge chair positioning can be easily achieved for reading and having a meal. A standard battery back up system can last up to three hours during a power failure. All the wonderful features make these beds the best choice for long term care.

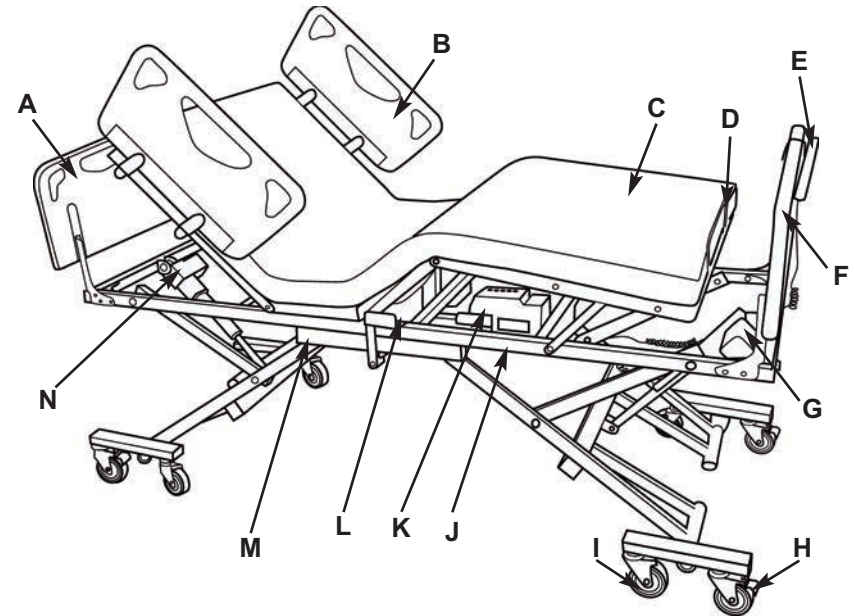
SAFETY PRECAUTIONS

- **⚠** Do not operate your institutional bed until you have read and fully understand this manual. If you are unable to understand, contact your equipment provider for technical support before attempting to use this bed.
- **⚠** Do not operate your institutional bed until it is fully assembled and checked.
- **⚠** Do not place arm or head into the frame while operating. Stand clear of device frame before operating. Operating this device with any part of the body in the frame can result in injury.
- **⚠** Do not leave loose clothing or self in between moving parts. Keep fingers and arms away when bed is in movement. Pinch points exist at base of bed. USE CAUTION, otherwise injury could occur.
- **⚠** Do not use if power cord is cut, frayed or loosely connected to the device.
- **⚠** Do not expose electrical components to any highly flammable items. Power cord may be damaged by inappropriate handling, kinking, shearing or other mechanical damages.
- **⚠** Do not position the bed to make it difficult to disconnect from supply mains.
- **⚠** Do not plug into an inadequate electrical outlet. To avoid the risk of electrical shock, this equipment must only be connected to the supply mains with protective earth. The power supply cord can only be replaced by service personnel.
- **⚠** Do not expose your institutional bed to weather or moisture.
- **⚠** Do not exceed maximum weight limit of the bed. The weight limit for the bed is 600lbs for T7036 and 600lbs for T7042.
- **⚠** Do not modify this equipment without authorization of the manufacturer. After reading the instruction, it should be put in a place where it can be seen at any moment.

ASSEMBLING PRECAUTIONS

- **⚠** Pre-assembled one piece grid design frame with fully loaded electronics system requires minimum set up.
- **⚠** Do not over-tighten mounting hardware, It will cause damage to mounting brackets.
- **⚠** Be sure that bed side rails are properly attached on main frame before the patient is moved into the bed.
- **⚠** Secure the caster locks in place to prevent the bed moving.
- **⚠** The medical bed should be left in its lowest position when the patient is unattended in order to reduce RISK of injury due to falls.

PRODUCT DIAGRAM



- | | |
|---|-----------------------|
| A. Headboard | B. Half Side Rails |
| C. Foam Mattress | D. Mattress Stop |
| E. Hand Pendant | F. Foot Board |
| G. Hi-Low Motor | H. Caster with Lock |
| I. Caster without Lock | J. Foot Section Frame |
| K. Foot Section Motor with Junction Box | L. Head Section Motor |
| M. Head Section Frame | N. Hi-Low Motor |

WARNING SAFETY ALERT LABEL

**⚠ WARNING SAFETY ALERT
BEWARE OF SIDE-RAIL ENTRAPMENT**

Patient Entrapment with bed side rails may result in serious injury or death. ALWAYS evaluate patient for and guard against bed rail entrapment in accordance with medical protocols. Monitor patient frequently. Mattress MUST fit bed frame and side rails snugly to prevent entrapment. There may be an increased risk of entrapment when bed rails are used in conjunction with low air loss products. Follow the Safety Warnings and Operating Instructions in the service/User's manual. Contact your dealer or visit WWW.TUFFCARE.COM.

1. BEWARE OF SIDE-RAIL ENTRAPMENT
2. CRUSH HAZARD DUE TO LOW BED CLEARANCE

⚠ WARNING Crush Hazard due to LOW BED CLEARANCE

Stay clear of frame and ensure children and pets are not under or near the frame before lowering the bed. Beware of PINCH POINTS below deck panels, next to fixed attachments and between moving parts.

PRODUCT SPECIFICATION

Control Operation: DC Motors System with 5 Function Pendant

Bed Fabric Height: 9.75 - 29.5 inches

Sleep Surface: T7036 – 36 x 80 inches,
T7042 – 42 x 80 inches

Overall Length: 88 inches

Overall Width: T7036 – 42 inches, T7042 – 48 inches

Overall Height (with Side Rail Up): 46 inches

Maximum Back Angle to Horizontal: 65 degrees

Maximum Knee Angle to Horizontal: 43 degrees

Maximum Knee to Leg Angle: 120 degrees

Casters: 4x 4" Swivel Casters with Central Braking System

Rail Height (from Fabric): 16 inches

Board Height (from Fabric): 15 inches

Weight Capacity: T7036 - 600lbs, T7042 - 600lbs

Weight: T7036 - 232lbs, T7046 - 255lbs

Emergency Backup Battery: Yes

Limited Warranty Bed/Electronics: 3 Years/1 Year

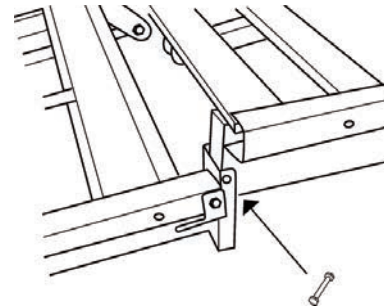
ASSEMBLY

⚠ WARNING

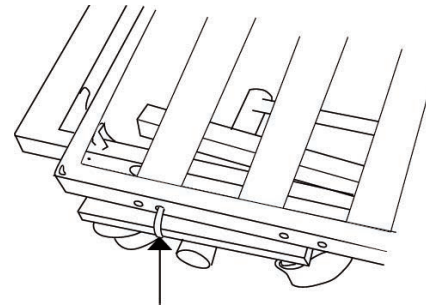
Use only Tuffcare parts to complete this bed assembly.

ASSEMBLING THE MAIN FRAME

1. Place both frames on the floor.
2. Position both ends of the frames so that the tabs on the head section are lined up with the holder of the foot section.



3. By lifting both tabs and holders, bring them together and slowly lower the two sections so as to interlock the tabs and the holder.



4. Install bolt and tighten into the holes located on the mounting hinge of the foot frame. Tighten to secure the two frame ends.

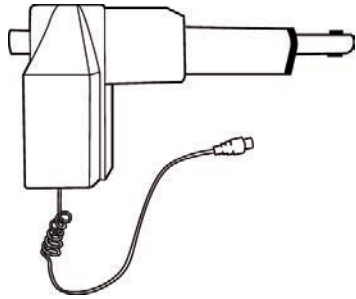
⚠ WARNING

Do not overtighten mounting hardware. It will cause damage to the mounting brackets.

NOTE: Release the cable tie before moving the bed. Check and tighten all hardware before use.

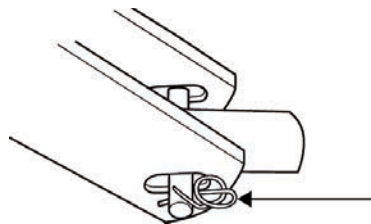
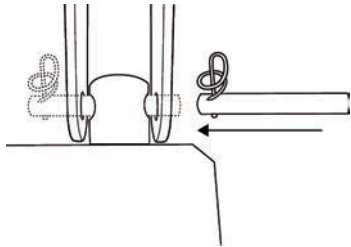
ASSEMBLING THE HEAD SECTION MOTOR

NOTE: HI-Low Motors, Foot Section Motor, and Junction Box are pre-assembled on main frames for easy installation.

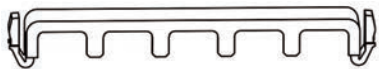
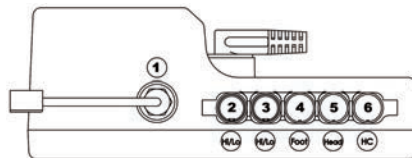


1. Install the head section motor. Lift one side of the bed frame up then slide the head section motor to the position.

2. Use a locking pin to connect the head motor onto supporting bracket; one pin on the motor end and one on the drive shaft head.



3. Remove the plug locker before installing the motor plug. Connect the head motor plug into the Junction Box #5 receiver, then secure the locker on the top of the motor plug.



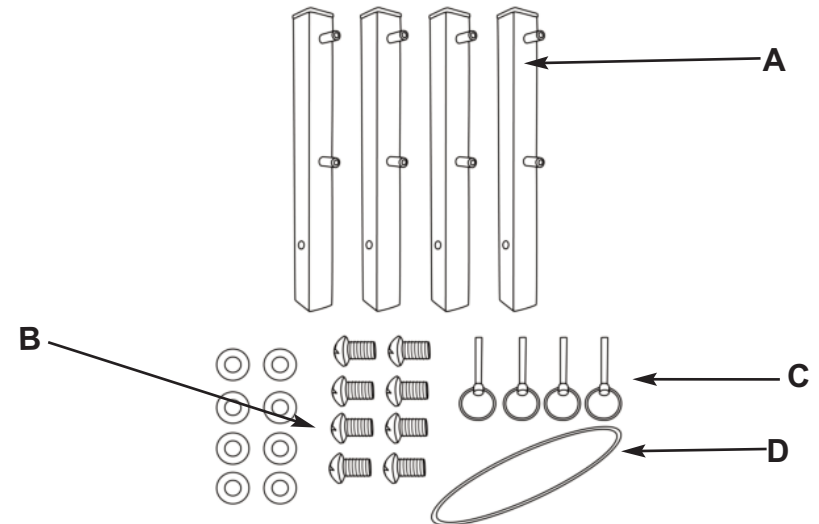
4. Secure the plug locker and make sure all plugs are well connected.

ASSEMBLING THE HEAD/FOOT BOARD ON THE MAIN FRAME

Note: Check Head Board (Size: 36" or 42"x15"), Foot Board (Size:36" or 42" x15") and hardware before installation.

Hardware Pack

- A. 2 sets of supporting bar brackets
- B. 8 sets of Phillips Pan Head Screws with Washers
- C. 4 pcs of Pin Locks
- D. 4 pcs of Pin Lock Retaining Band



OPERATION

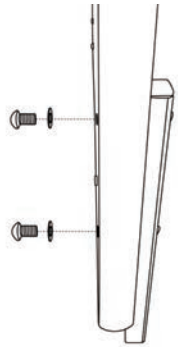
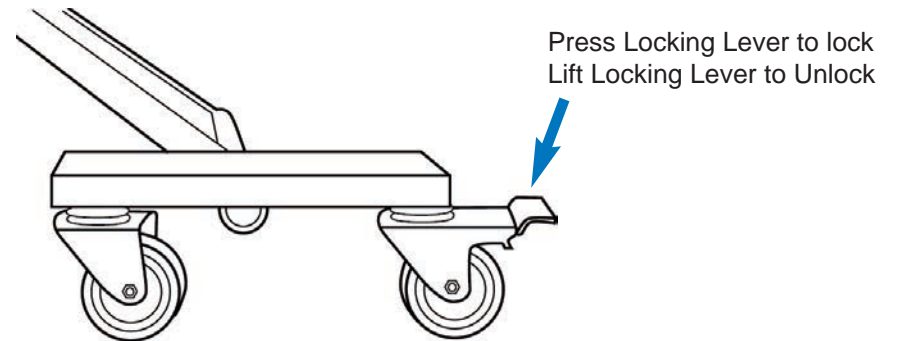
PREPARING THE BED FOR USE

1. Make sure all of electronic components are well connected, and all of wires are clear from moving parts.
2. Check and tighten all hardware BEFORE use.

⚠ WARNING

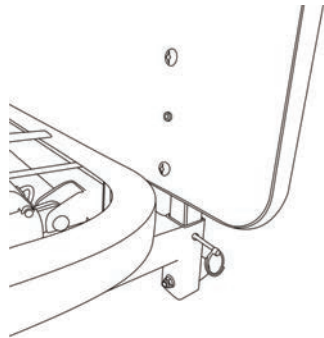
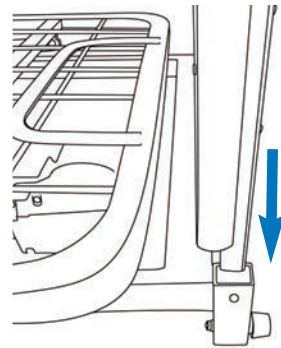
The user must be assessed by a qualified professional. Thoroughly read and fully understand the instructions in this Owner's Manual. If you are unable to understand, contact your equipment provider for technical support before attempting to use this bed.

LOCKING/UNLOCKING THE CASTER BRAKES



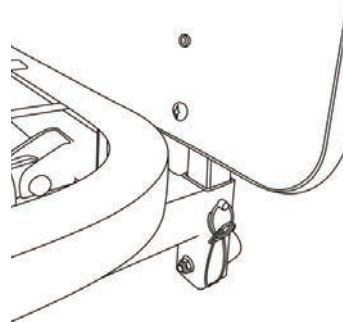
1. Install headboard and footboard, using 2 pcs of phillips pan head screws to secure the headboard or footboard on supporting bars and use hole plug to cover the screw. Repeat the process for the other side.

2. Use both hands to position the headboard or footboard. Align the supporting bar screw into the holes of bracket then slide headboard or footboard down.



3. Secure the pin lock into the lower hole on the supporting bar, then repeat the other side.

4. Secure the pin lock to the bed frame by tying the security pin lock band into a knot



RAISING/LOWERING THE BED

⚠ WARNING DO NOT exceed the maximum weight limit of Beds: T7036 – 600 lbs, T7042 – 600 lbs.

⚠ WARNING Operation of this device with any part of the body in the frame can result in injury. Do not place arm or head into the frame while operating.

⚠ WARNING Stand clear of device frame before operating.

⚠ WARNING Rotating Parts. Keep fingers and arms away when mechanism is moving.

⚠ WARNING Keep fingers and arms away when bed is in movement to avoid pinching.

⚠ WARNING Electrical hazard may occur if the device is plugged into an inadequate electrical outlet. To avoid electrical shock hazard, make sure that the bed is plugged into a grounded 110 Volt outlet. Before operating, make sure casters are in their proper operating position. Hand Controller Functions, press button indicated to move bed.

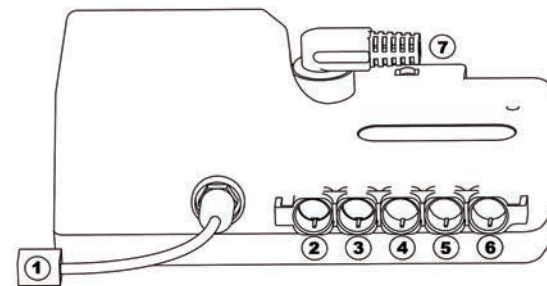
PENDANT FUNCTIONS

Press indicated buttons to move the bed up and (or) down.



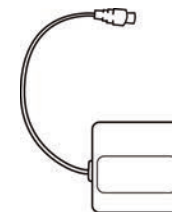
- A. Head Section
- B. Foot Section
- C. Head & Foot Section
- D. Hi-Low
- E. Hi-Low Trendelenburg

JUNCTION BOX FUNCTIONS



- 1. Backup Battery
- 2. Hi-Lo Motor (installed on Head Main Frame)
- 3. Hi-Lo Motor (installed on Foot Main Frame)
- 4. Foot Motor
- 5. Head Motor
- 6. Hand Pendant
- 7. Power Cord

USING THE BACKUP BATTERY



Uses a rechargeable 12V back up battery that is built in for emergency lowering.

MAINTENANCE

CLEANING THE BED

- The Bed can be cleaned with non-abrasive cleaners. Make sure that the wheels are free of hair, lint and other debris.

DETECTING WEAR AND DAMAGE

- Check monthly that all screws are tight and have not loosened.
- Check monthly for damaged or exposed wires on the electrical components.
- Inspect monthly for signs of cracking, fraying or any deterioration.
- Contact your equipment provider for replace of any defective parts immediately and ensure that the bed is not used until repair job is completed.

LUBRICATING THE BED

- A light grease lubricant may be applied to the ball bearing and swivel of the casters every three months.

PERFORMING REGULAR MAINTENANCE

- Regular maintenance of the bed and accessories is required to ensure proper operation. The casters and axle bolts are also required to be checked for proper tightness.

LIMITED WARRANTY

The warranty below has been drafted to comply with Federal Law applicable to products manufactured after July 4, 1975. This warranty is extended only to the original purchaser/consumer (or dealer non-consumer who does not buy for resale).

Tuffcare® warrants that it's proprietary Institutional Beds will be free from defective workmanship and materials for a period of three (3) years following the date of original purchasing date with the following exceptions: All welds are warranted for the life of the bed. Electronics on the beds are warranted for one (1) year. The warranty period commences on the original purchasing date. If within such warranty period any such product proven to Tuffcare® satisfaction to be defective, such product will be repaired or replaced at Tuffcare® option.

Tuffcare® sole obligation and your exclusive remedy under this warranty shall be limited to such repair and/or replacement. This warranty does not include any labor charges incurred in replacement parts installation. Freight charges to the factory are at the expense of the consumer or seller. Return freight charges will be prepaid by Tuffcare®. For warranty service, please contact the authorized dealer from whom you purchased your Tuffcare® products. In the event that you do not receive satisfactory warranty service, please write directly to: Tuffcare®: 4977 La Palma Ave, Anaheim, California, 92807.

DO NOT RETURN PRODUCTS WITHOUT PRIOR AUTHORIZATION.

LIMITATIONS AND EXCLUSIONS: The foregoing warranty shall not apply to products subjected to negligence, abuse, misuse, improper operation, improper maintenance, improper storage or damages beyond Tuffcare® control. The evaluation will be solely determined by Tuffcare®. The warranty shall not apply to problems arising from normal wear, or failure to follow instructions, or if parts are not manufactured by Tuffcare®, or do not comply with original equipment specifications that are added to Tuffcare® product.

THE FOREGOING WARRANTY IS EXCLUSIVE AND IN LIEU OF ALL OTHER WARRANTIES, INCLUDING BUT NOT LIMITED TO THE IMPLIED WARRANTIES OF MERCHANTABILITY AND FITNESS FOR A PARTICULAR PURPOSE AND SHALL NOT EXTEND BEYOND THE DURATION OF THE EXPRESS WARRANTY PROVIDED HEREIN. TUFFCARE® SHALL NOT BE LIABLE FOR ANY CONSEQUENTIAL OR INCIDENTAL DAMAGES WHATSOEVER.

This warranty gives you specific rights and you may also have other legal rights which vary from state to state. Some states do not allow the exclusion or limitations of incidental or consequential damage, or limitation on how long an implied warranty